



Parts Catalog

Commander Series

PowerBoss, Inc.
A Member Of The Hako Group

PB# 4100037 Rev. E 01/17

Machines after S/N 16PB1397

PREFACE

Thank you for your purchase of the new industry standard for sweepers and scrubbers. Minuteman International takes great pride in offering the most dependable, reliable and best value in industrial power sweepers and scrubbers. We set the standard.

Our Customer Service Department would like to hear from you. If you see any errors, omissions or something that needs clarification in this Parts Catalog please let us know. We are working hard towards continually improving our processes to bring you the best you deserve. Please copy the form below, fill out and comment on how you found our catalog.

Thank you!
The Minuteman International Team

Name: _____

Title: _____

Company Name: _____

Address: _____

Country: _____

Type of equipment or model number: _____

Comments: _____

Please return to:

Customer Service Manager
Minuteman International, Inc.
14N845 U.S. Route 20
Pingree Grove, Illinois 60140 USA

Phone: (800) 323-9420

Email: tech@powerboss.com

This is the Spare Parts Catalog for the PowerBoss Commander Series Sweeper / Scrubber. This manual covers all standard series machine variations, T90,T82.

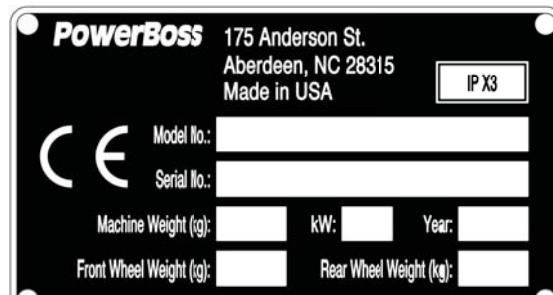
The machine will provide excellent service for many years. However, the best results will be obtained if:

- The machine is operated with reasonable care.
- The machine is maintained regularly per the maintenance schedule provided in the User Manual.
- The machine is maintained with PowerBoss Inc. supplied or equivalent parts.

All right side and left side references to the machine (except for engine) are determined by facing the direction of forward travel. The front of the engine or engine fan faces the rear of the machine. Some hardware considered to be common or locally available has been omitted from the parts section to make this manual clear. Be sure to use equivalent hardware when replacement becomes necessary.

The Model and Serial Number of your machine is shown on the I.D. name plate. This information is needed when contacting Technical Support or when ordering parts. The I.D. plate is mounted on the console of the machine left of the operator. Adjacent the main broom adjustment access door.

Example I.D Plate;



Parts may be ordered by phone, fax or e-mail from any PowerBoss parts and service center. Before ordering parts or supplies, be sure to have your machine model number and serial number handy. For your convenience fill out the data block below for future reference.

<p>MACHINE DATA Fill out at installation</p>	
Serial Number:	_____
Engine Serial Number:	_____
Sales Rep.:	_____
Date of Install:	_____

All information contained in this catalog is current at the time of printing. However, PowerBoss reserves the right to make changes at any time without notice.

TABLE OF CONTENTS

PREFACE 2

CE DECLARATION OF CONFORMITY 6

STANDARD ABBREVIATIONS 7

TECHNICAL SPECIFICATIONS 8

 SCRUBBING SYSTEM 8

 SWEEPING SYSTEM 8

 OTHER SPECIFICATIONS 8

PARTS BREAKDOWN 10

 AXLE BRAKES & WHEELS 10

 AXLE BRAKES & WHEELS (CONTINUED) 12

 FRONT AXLE ASSEMBLY 14

 HAND LEVER PARKING BRAKE ASSEMBLY 16

 FRAME ASSEMBLY PART 1 18

 FRAME ASSEMBLY PART 2 20

 ASSEMBLY BROOM DOOR RIGHT 22

 ASSEMBLY BROOM DOOR LEFT 24

 SQUEEGEE SOLENOID VALVE 26

 HYDRAULIC RESERVOIR MOUNTING AND FILTER 28

 SOLENOID FUNCTION VALVE (CE MODELS) 30

 ROTATION AND LIFT SOLENOID VALVES (CE MODELS) 32

 BUMPER & SAFETY LEG 34

 MAIN BROOM ASSEMBLY 36

 LINTEL ASSEMBLY (PAGE 1) 38

 LINTEL ASSEMBLY (PAGE 2) 40

 SUB-3 SPOOL ASSEMBLY 42

 ENGINE COVERS 44

 BATTERY & MOUNT 46

 INSTRUMENT PANEL 48

 STEERING FORK ASSEMBLY 50

 CONSOLE ASSEMBLY 52

 FLOORBOARD ASSEMBLY 54

 HYDRAULIC SQ SWITCH BOX ASSEMBLY 56

 DIRECTIONAL CONTROL ASSEMBLY 58

 SOLUTION / RECOVERY TANK COMPONENTS, AND COVERS 60

 LP CE SOLUTION / RECOVERY TANK COMPONENTS, AND COVERS 62

 SOLUTION / RECOVERY TANK ASSEMBLY PART 1 64

SOLUTION / RECOVERY TANK ASSEMBLY PART 2	66
SEAT ASSEMBLY	68
IMPELLER ASSEMBLY	70
IMPELLER MOUNTING ASSEMBLY	72
IMPELLER CONTROL VALVE	74
POWER STEERING ASSEMBLY	76
STEERING COLUMN	78
SQUEEGEE LIFT / LOWER ASSEMBLY	80
SCRUB HEAD ASSEMBLY	82
SCRUB HEAD LIFT / LOWER MECHANISM	84
REAR SQUEEGEE ASSEMBLY	86
REAR SQUEEGEE ASSEMBLY (CONTINUED)	88
LIFT ARM ASSEMBLY	90
SAFETY ARM ASSEMBLY T82/T90	92
HOPPER ASSEMBLY	94
VACUUM MOUNT ASSEMBLY	96
VACUUM MOUNT ASSEMBLY - CE MODELS	98
SIDE AND MAIN BROOMS	100
SCRUB BRUSHES	102
OPTIONS:	104
OPTION - HEAVY DUTY SIDE BROOM GUARD (3319295)	104
OPTION - OVERHEAD GUARD (3319228)	106
OPTION - HOPPER FIRE INDICATOR (3319256)	108
OPTION - CLOGGED FILTER INDICATOR (3319257)	110
OPTION - WATER & BRUSH SHUT OFF - CE MODELS ONLY (3332636)	112
OPTION - WATER RECYCLING (3302806)	114
OPTIONAL - WATER RECYCLING CONTINUED	116
WARRANTY	118
NOTES	119

CE DECLARATION OF CONFORMITY

- D EG-Konformitätserklärung** (entsprechend der EG-Richtlinie 2006/42/EG)
GB EC Declaration of Conformity (according to Directive 2006/42/EC)
F Déclaration de conformité pour la CEE (conforme à la directive de la CEE 2006/42/CEE)
I Dichiarazione CE di Conformità (ai sensi della direttiva CEE 2006/42)
E CEE Declaración de Conformidad (según la normativa de la CEE 2006/42/CE)

PowerBoss Inc. erklären in alleiniger Verantwortung, daß das Produkt,
declare under our sole responsibility, that the product,
déclarons sous notre seule responsabilité que le produit,
Dichiara sotto la propria responsabilità che il prodotto,
declaramos bajo responsabilidad propia que el producto,

Machine

Commander T82 LP (TSS82LPCE)
Commander T82 DSL (TSS82DSLCE)

D auf das sich diese Erklärung bezieht, den einschlägigen grundlegenden Sicherheits- und Gesundheitsanforderungen der EG-Richtlinie 2006/42/EG, sowie den Anforderungen gemäß 2004/108/EG entspricht. Zur sachgerechten Umsetzung der in den EG-Richtlinien genannten Sicherheits- und Gesundheitsanforderungen wurde(n) folgende Norm(en) und /oder technische Spezifikation(en) herangezogen:

GB to which this declaration relates corresponds to the relevant basic safety and health requirements of the Directive 2006/42/EC, and to the requirements of the other relevant Directives 2004/108/EC. For the relevant implementation of the safety and health requirements mentioned in the Directives, the following standard(s) and/or technical specification(s) has (have) been respected:

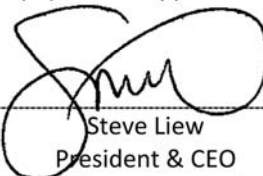
F faisant l'objet de la déclaration est conforme aux prescriptions fondamentales en matière de sécurité et de santé stipulées dans la Directive de la CEE 2006/42/CEE, ainsi qu'aux prescriptions des autres Directives de la CEE établies dans ce domaine 2004/108/CEE. Pour mettre en pratique dans les règles de l'art les prescriptions en matière de sécurité et de santé stipulées dans les Directives de la CEE, il a été tenu compte de la/des norme(s) et/ou de la/des spécification(s) technique(s) suivante(s):

I é conforme ai requisiti essenziali di sicurezza e di tutela della salute di cui alla Direttiva CEE 2006/42 e sue successive modifiche, nonché ai requisiti di cui alle seguenti Direttive CEE 2004/108. Per la verifica della Conformità di cui alle Direttive sopra menzionate, sono state consultate le seguenti, Norme Armonizzate EN:

E al cual se refiere la presente declaración corresponde a las exigencias básicas de la normativa de la CEE 2006/42/CE y referentes a la seguridad y a la sanidad, así como a las exigencias de la demás normativas de la CEE 2004/108/CE. Con el fin de realizar de forma adecuada las exigencias referentes a la seguridad y a la sanidad mencionadas en las normativas de la CEE fué(ron) consultada(s) la(s) siguiente(s) normativa(s) y especificación(es) técnicas(s):

EN 60335-2-72, EN 55012, EN 61000-6-2

Date 5/19/2010


Steve Liew
President & CEO

Name der autorisierten Person, die für PowerBoss die technischen Unterlagen zusammenstellt:
Name of the person authorized for PowerBoss to compile the technical file:
Personne chargée du suivi du dossier technique:
Nome della persona autorizzata da PowerBoss a compilare il file tecnico:
Nombre de la persona autorizada por PowerBoss para la creación del fichero técnico:
Jeff Pollack

STANDARD ABBREVIATIONS

°C-Degrees Celsius	INFO-Information
°F-Degrees Fahrenheit	INT-Internal or Interior
12V-12 Volts DC	LG-Long
AR-Abrasion Resistant	LH-Left Hand
ASSY-Assembly	LPG-Liquefied Petroleum Gas
ATO-Standard Auto Fuse Type	LP-Liquefied Petroleum
Also called ATC	M8x1-Indicates Metric threads, 8mm Dia with a 1mm thread pitch
BHSCS-Button Head Screw SS	MM-Millimeters
BLK-Black	MNT-Mount
BLT-Belt	MS-Mid Size
BR-Brass or Broom or Brush	OD-Outside Diameter
BRM-Broom	PLTD-Plated
BRKT-Bracket	PNTD-Painted
CB-Curb Broom	REV-Reverse
CCW-Counter Clockwise	RH-Right Hand
CI-Cubic Inch	ROT-Rotation
CW-Clockwise Rotation	RTR-Rotary Trash Relocator
CYL-Cylinder	SCR-Screw
DEG-Degrees	SC-Scrubber
DIA-Diameter	SP-Service Part
DPDT-Double Pole Double Throw	SPDT-Single Pole Double Throw
ELEC-Electric	SPST-Single Pole Single Throw
ES-Elastic Stop, also Nyloc	SS-Stainless Steel
EXT-Exterior or Extended	STR-Straight
FI-Fuel Injection	ST-Straight
FS-Full Size	SUB-Sub Assembly
FTG-Fitting	THD-Thread
FWD-Forward	THK-Thick
REV-Reverse	THRU-Through
GAL-US Gallon (3.79 Liters)	UNC-Unified Nat'l Coarse Threads
GOV-Governor	UNF-Unified Nat'l Fine Threads
HD-Head	V1505-Kubota Diesel Engine
HD-Heavy Duty	GM1.6L-General Motors LP / Gasoline Engine
HOP-Hopper	W/-With
HSS-High Speed Steel	WELD-Weldment
HT-High Temperature	W/O-Without
HT-Height	ZP-Zinc Plated
HYD-Hydraulic	
ID-Identification	
ID-Inside Diameter	
IMP-Impeller	

TECHNICAL SPECIFICATIONS

Model Commander Series
Model No. TSS82KDSL / TSS82KGAS / TSS82KLPG / TSS82KDSLCE / TSS82KLPC

DIMENSIONS & WEIGHT

Length 120.5 inches (306 cm)
Width 56 inch (142 cm)
Height 57 inch (145 cm)
Height w/ overhead guard 87 inch (221 cm)
Height w/ cab. 83.5 inch (212 cm)
Weight 2900 lbs (1315 kg)
Minimum U-turn. 120 inch (305 cm)

SCRUBBING SYSTEM

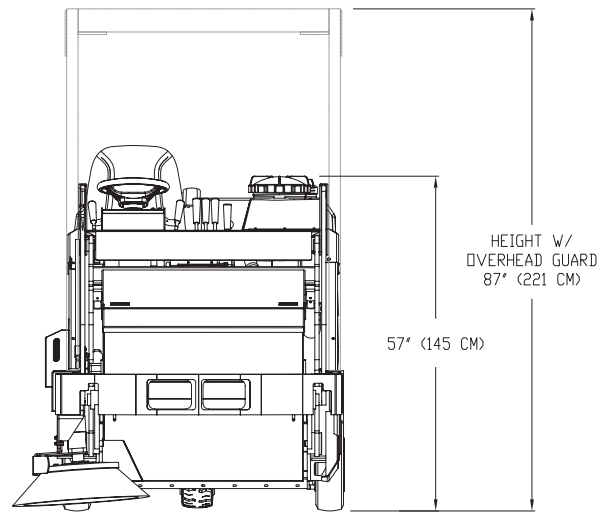
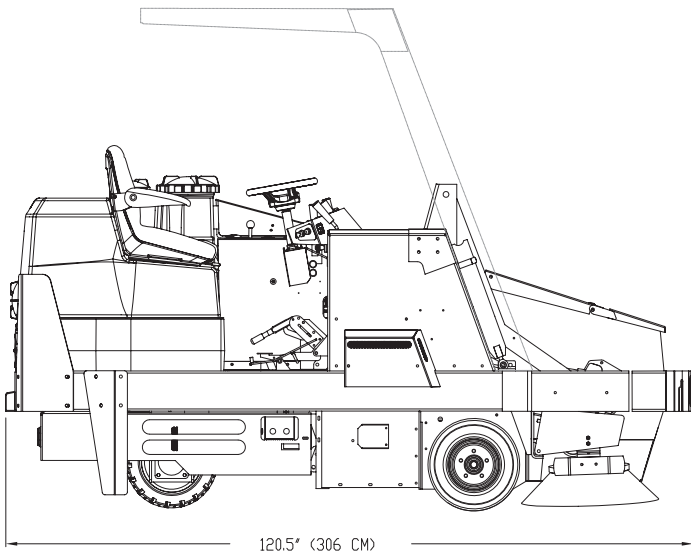
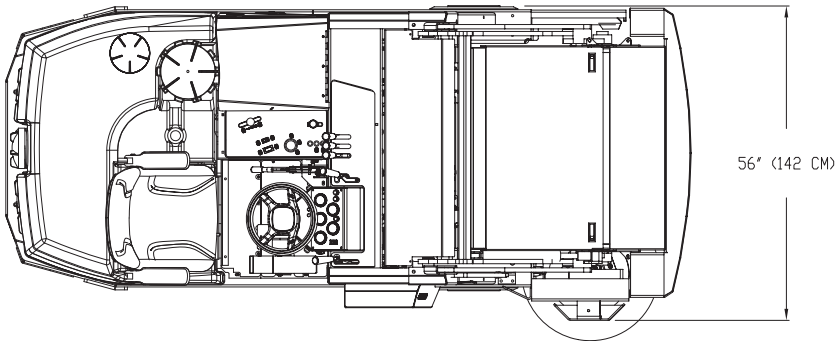
Scrub path 42 inch (107 cm)
Scrub deck pressure 300 lbs (136 kg)
Brush speed 250 rpm
Solution tank capacity 68 gal (257 L)
Recovery tank capacity 65 gal (246 L)
Squeegee width. 50 inch (127 cm)

SWEEPING SYSTEM

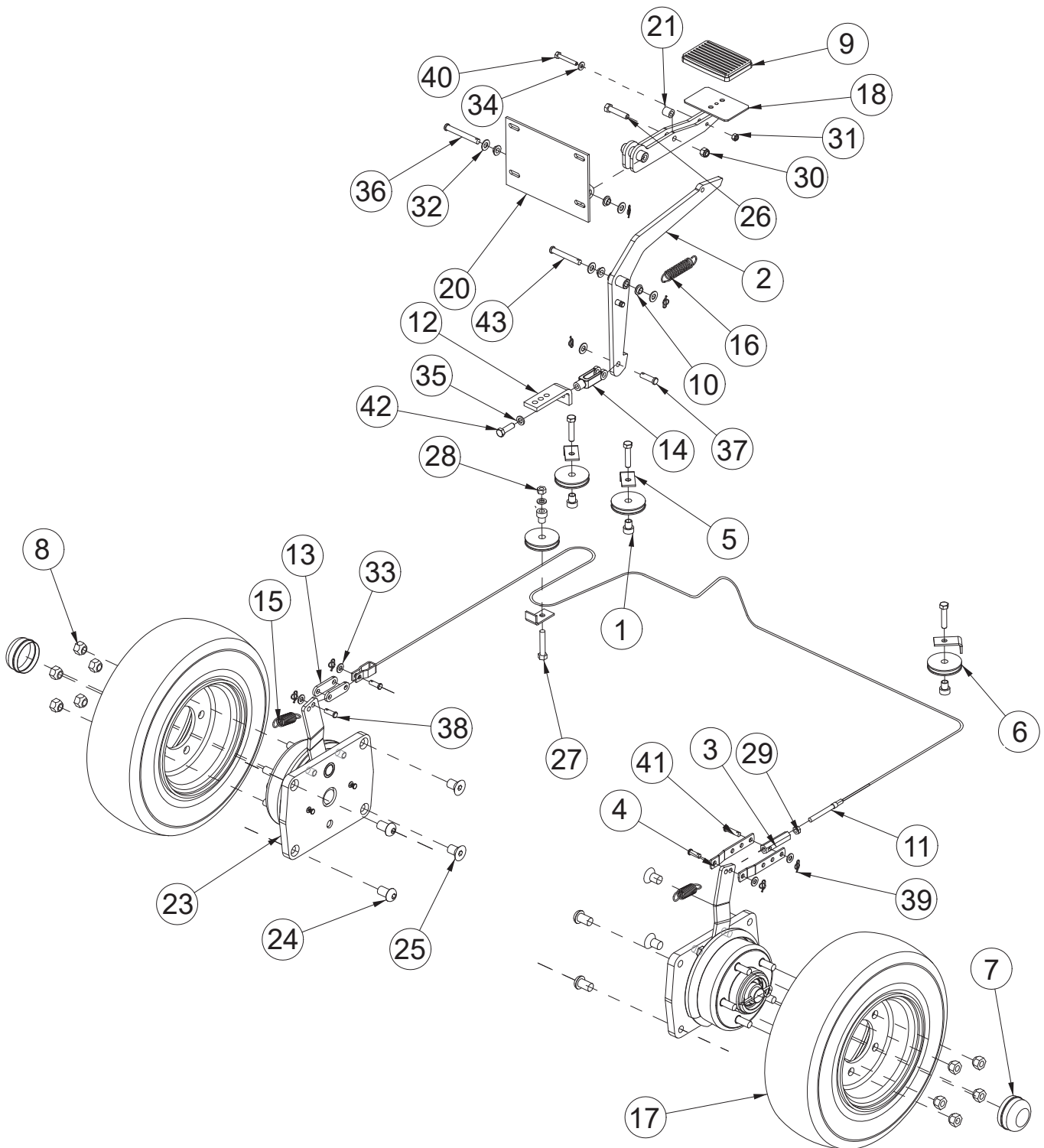
Sweep path 54 inch (137 cm)
Main broom 42 inch (107 cm)
Side broom 24 inch (61 cm)
Hopper type. high dump
Hopper volume 14 cu ft
Hopper load capacity. 1000 lbs (454 kg)
Dust control 100 sq ft
High dump 60 inch (152 cm)
RTR (rotary trash relocation). yes

OTHER SPECIFICATIONS

Noise Level 84.5 dBA

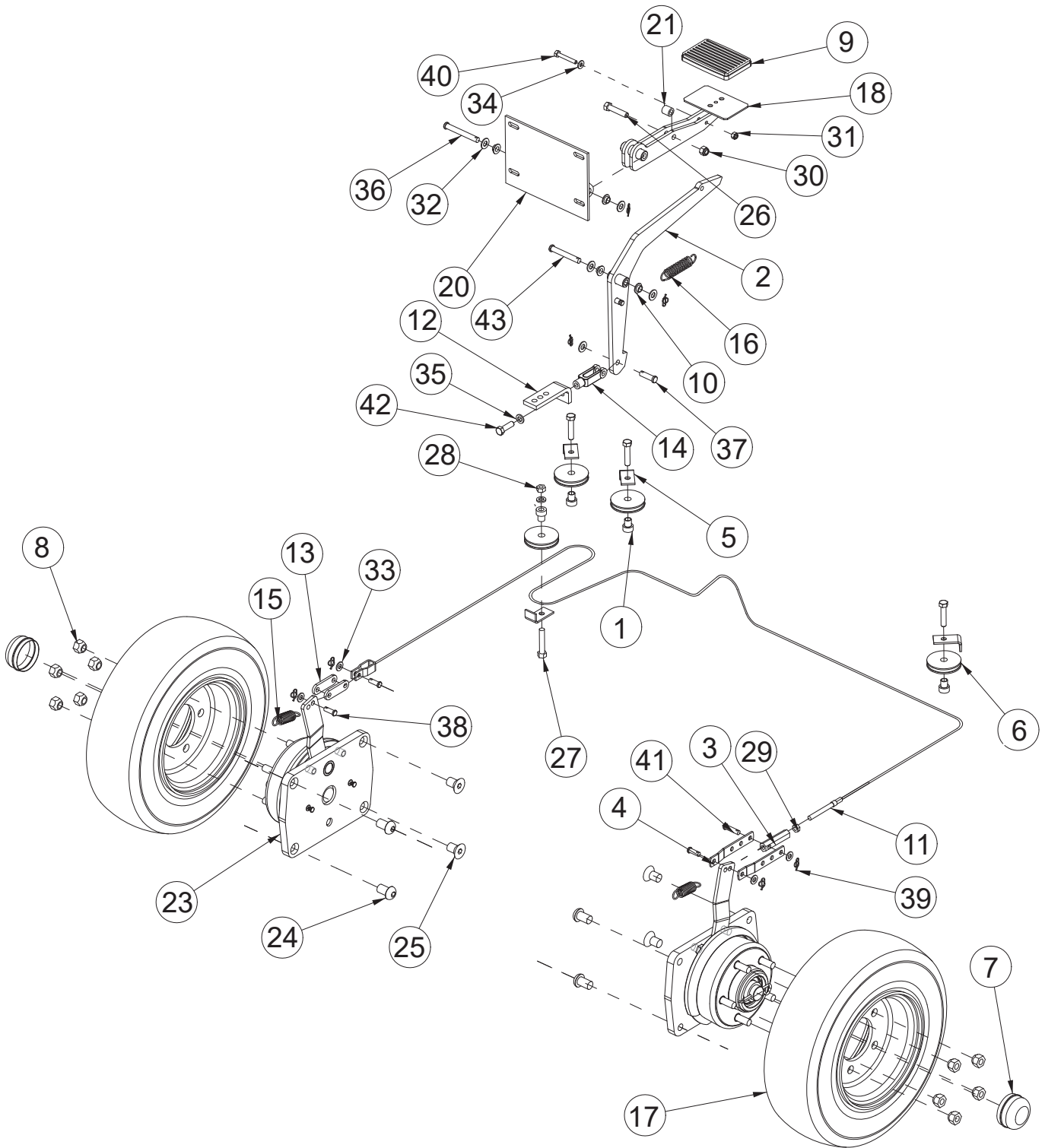


**PARTS BREAKDOWN
AXLE BRAKES & WHEELS**



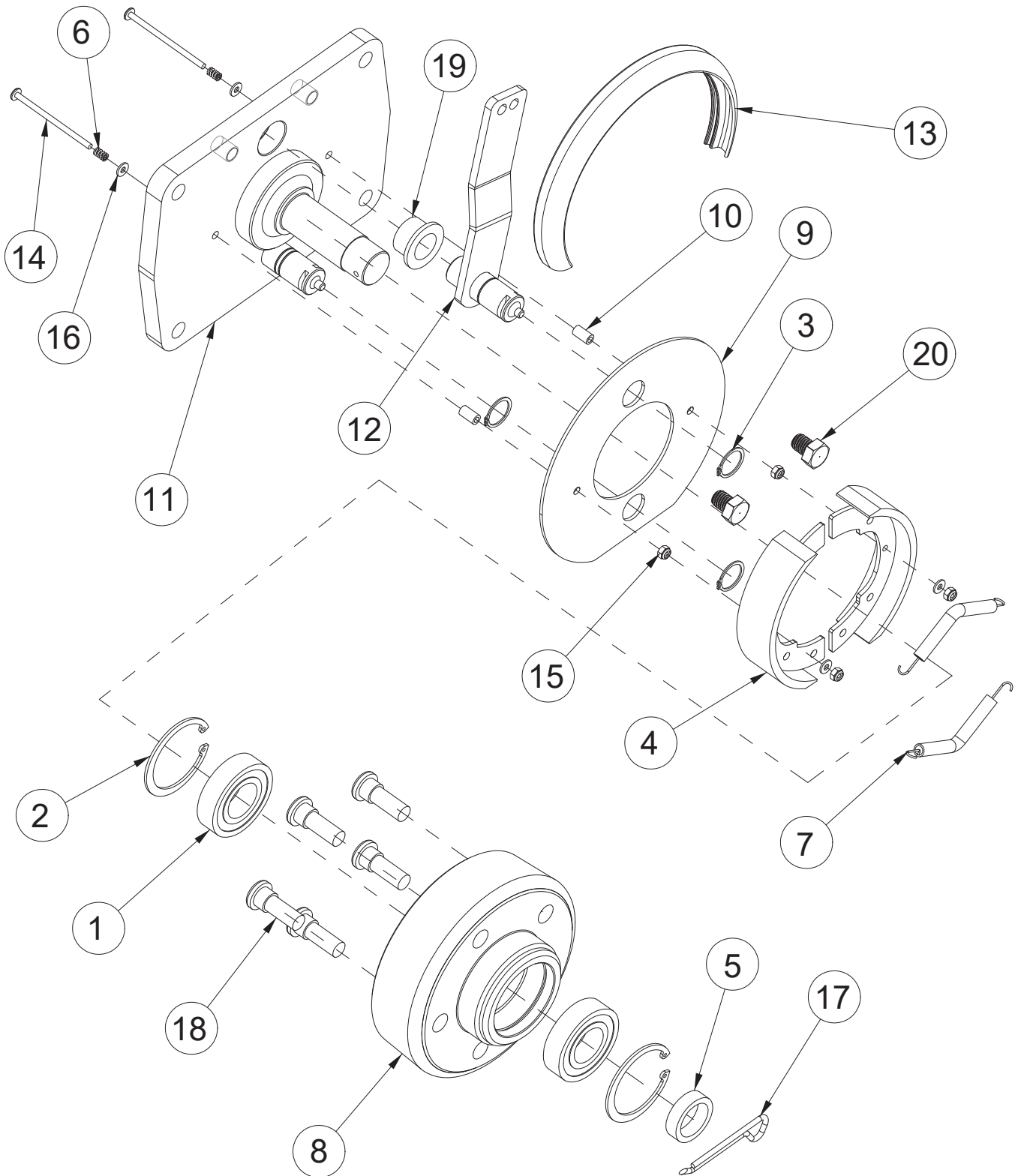
AXLE BRAKES & WHEELS			
ITEM	PART NO.	QTY	DESCRIPTION
1	3300035	4	SPACER, BRAKE PULLEY
2	3300132	1	ARM ASSEMBLY, BRAKE
3	3300202	1	BAR, CABLE ADJUSTMENT
4	3300203	2	BAR-CABLE PLTD
5	3300209	4	RETAINER, CABLE
6	3300367	4	PULLEY-2.50 DIA, BUSHED, 1/4" CABLE MAX, BRAKE
7	3300369	2	CAP-HUB, 2.44" DIA.
8	3300411	10	NUT-LUG 1/2-20
9	3300413	1	PAD-BRAKE PEDAL
10	3300414	4	BUSHING-FLNG 3/8 NYLON
11	3300486	1	CABLE, BRAKE
12	3300955	1	BRACKET, BRAKE PULLEY
13	3301417	2	PLATE-BRAKE LINK PLTD
14	3301447	1	CLEVIS-CABLECRAFT AC-218
15	3301517	2	SPRING-EXT BRAKE LEVER
16	3301522	1	SPRING - EXT BRAKE ARM
17	3301525	2	ASSY-TIRE&RIM SOLID FS/MS
18	3303716	1	BRAKE PEDAL NEW PNTD
20	3303720	1	ASSY-BRAKE MOUNT PNTD
21	3303723	1	ROLLER - BRAKE ARM
23	3344070	2	ASSY- FRONT AXLE/BRAKES
24	3400006	4	SCREW BH 5/8-11 X 1.0 LG
25	3400011	4	SCREW-FLAT HEAD 5/8-11 X 1.00, SOC ZP
26	3400027	4	SCREW-HHM 3/8-16 X 1.75 LG ZP
27	3400031	1	SCR-HEX 3/8 -16X2.00 ZP
28	3400068	1	NUT-HEX 3/8-16 ZP
29	3400069	1	NUT-HEX 5/16-24 ZP
30	3400079	1	NUT-HEX 3/8-16 ES ZP
31	3400081	1	NUT-HEX 1/4-20 ES ZP
32	3400087	5	WASHER 3/8 ID .81 OD X .065 THK
33	3400088	4	WASHER 5/16 ID .688 OD X .065 THK
34	3400089	1	WASHER 1/4 ID .63 OD X .065 THK
35	3400101	2	WASHER-LOCK 3/8 SPLIT ZP

AXLE BRAKES & WHEELS (CONTINUED)



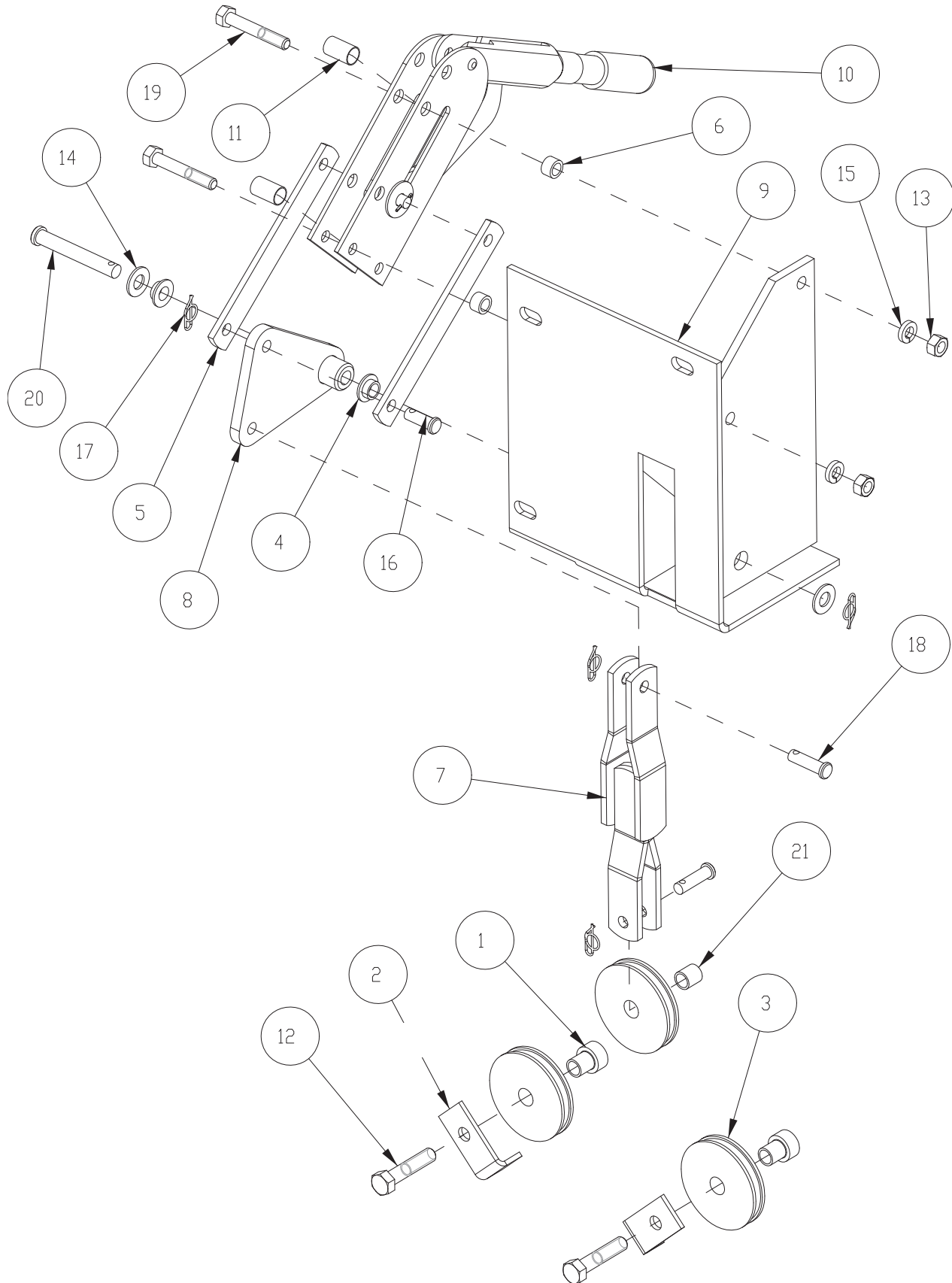
AXLE BRAKES & WHEELS			
ITEM	PART NO.	QTY	DESCRIPTION
36	3400115	1	PIN-CLEVIS 3/8 X 3.00 ZP
37	3400116	1	PIN-CLEVIS 3/8 X 1-1/4 ZP
38	3400118	3	PIN-CLEVIS 5/16 X 7/8 ZP
39	3400125	7	PIN-COTTER 3/8 RUE RING
40	3400173	1	SCREW-HHM 1/4-20 X 1.75 LG ZP
41	3400185	1	PIN-CLEVIS 5/16 X 1-1/4 ZP
42	3400262	1	SCREW-HEX,3/8-24X1.25 ZP F'THD
43	3400347	1	PIN-CLEVIS 3/8 X 2-5/8 ZP

FRONT AXLE ASSEMBLY



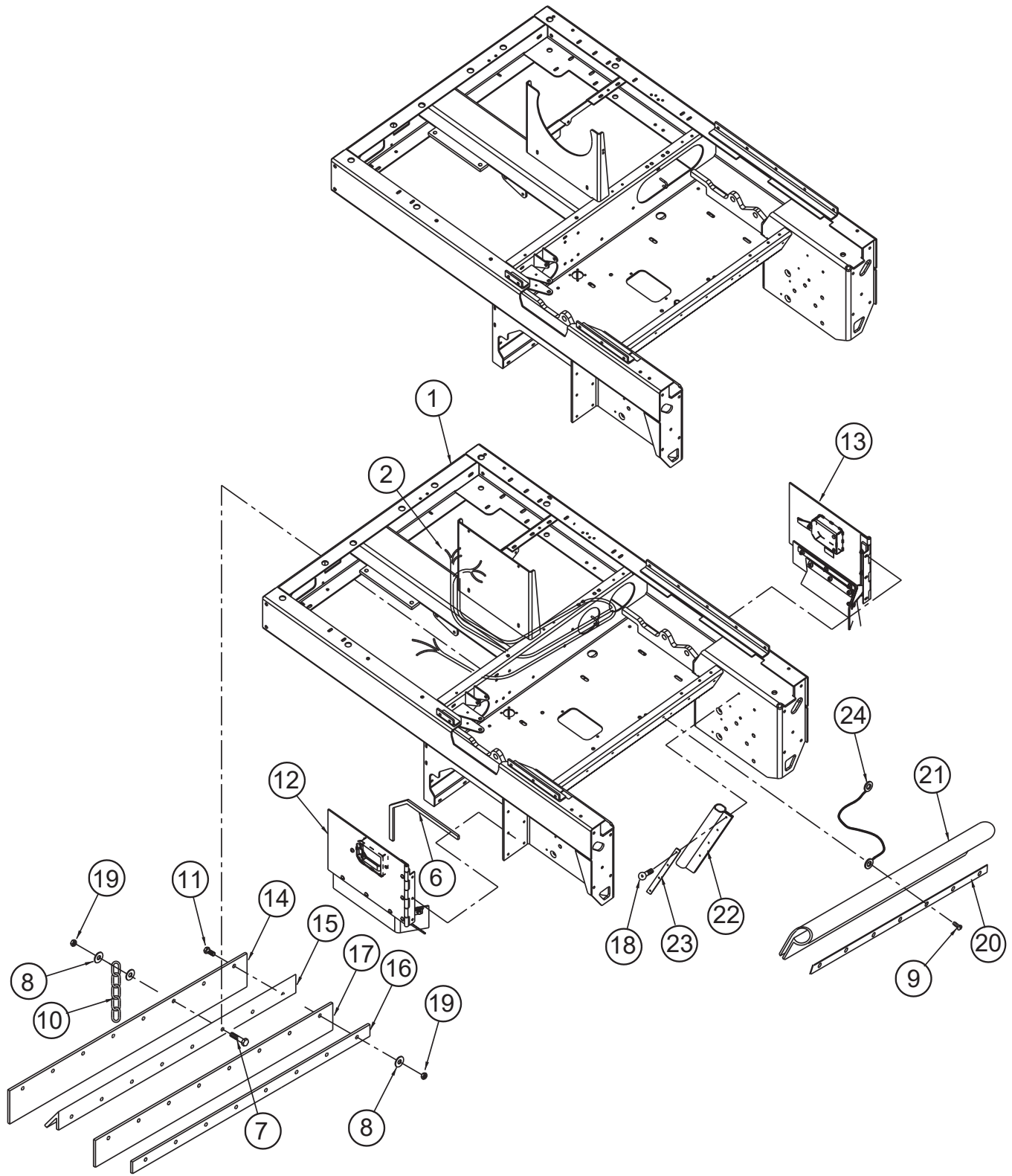
FRONT AXLE ASSEMBLY - 3344070			
ITEM	PART NO.	QTY	DESCRIPTION
1	3300467	2	BEARING-BALL 2.44 OD X 1.18 ID
2	3300473	2	RETAINING RING, INT 2.44
3	3300484	3	RETAINING RING, EXT 0.87
4	3300523	2	SHOE-BRAKE
5	3300876	1	SPACER-AXLE FRONT MACH & PLTD
6	3301518	2	SPRING-COMP BRAKE SHOE
7	3301519	2	SPRING-EXT BRAKE SHOE
8	3300787	1	HUB-FRONT WHEEL PNTD
9	3344048	1	PLT - BRAKE DUST COVER
10	3344068	2	TUBE-STANDOFF .18 ID X .31 OD X .563 LG
11	3344071P	1	WELD-AXLE/BRAKES
12	3344075	1	WELD-LEVER BRAKE ZP
13	3344143	1	TRIM-PUSH ON W/ FLAP SEAL 12 GA
14	3400060	2	SCR-THM # 8-32 X 3.00 SS
15	3400082	4	NUT-HEX #8-32 ES ZP
16	3400096	4	WASHER-FLAT #8 ZP
17	3400120	1	PIN-COTTER 5/32 X 2.00 ZP
18	3400938	5	62/72-STUD FRONT WHEEL
19	3401561	1	BEARING-SLEEVE 7/8I D X 3/4 OD
20	3401568	2	SCR-HEX 1/2-13 X .625

HAND LEVER PARKING BRAKE ASSEMBLY



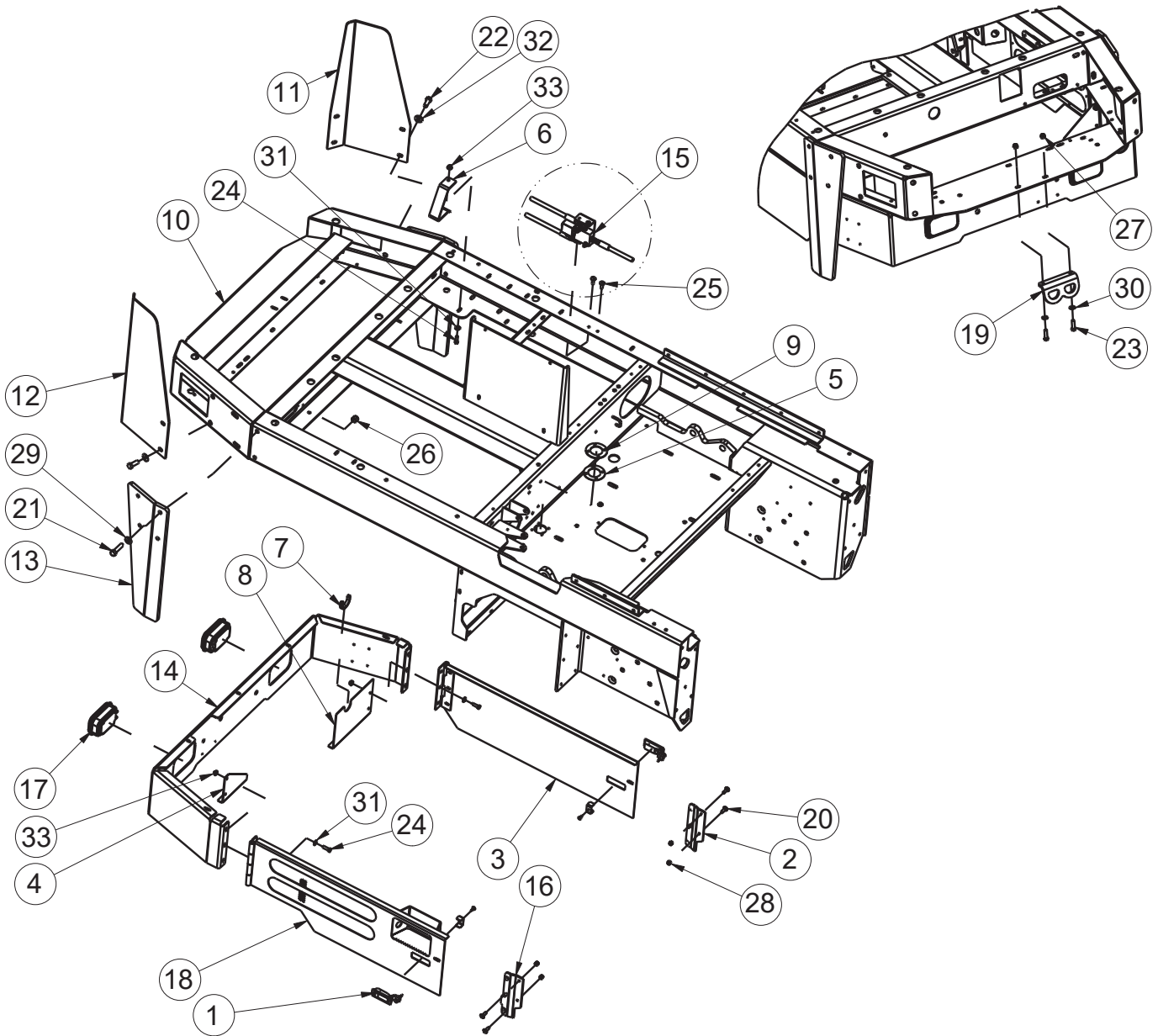
HAND LEVER PARKING BRAKE ASSEMBLY			
ITEM	PART NO.	QTY	DESCRIPTION
1	3300035	2	SPACER, BRAKE PULLEY
2	3300209	2	RETAINER-CABLE PLTD
3	3300367	3	PULLEY-2.50 DIA, BUSHED, 1/4" CABLE MAX, BRAKE
4	3300414	2	BUSHING-FLNG 3/8 NYLON
5	3303545	2	BAR-CONTROL HAND BRAKE PNTD
6	3303553	2	SHIM-FRAME HAND BRAKE PLTD
7	3303559	1	WELDMENT, ARM PIVOT HANDBRAKE PNTD
8	3303628	1	ASSY-PIVOT PLT HAND BRAKE PNTD
9	3335946	1	MNT-HAND BRAKE/PIVOT PLT
10	3306803	1	LEVER-HAND BRAKE MACH.
11	3307241	2	SPACER-HAND BRAKE PLTD SW/A
12	3400027	2	SCREW-HHM 3/8-16 X 1.75 LG ZP
13	3400070	2	NUT-HEX 5/16-18 ZP
14	3400087	2	WASHER 3/8 ID .81 OD X .065 THK
15	3400102	2	WSR-LOCK 5/16, ZP
16	3400118	1	PIN-CLEVIS 5/16 X 7/8 ZP
17	3400125	4	PIN-COTTER 3/8 RUE RING
18	3400184	2	PIN-CLEVIS 5/16 X 1-1/8 ZP
19	3400231	2	SCREW-HHM 5/16-18 X 2.0 LG ZP
20	711677	1	PIN-CLEVIS 3/8 X 2 5/8 ZINC
21	3303552	1	SLEEVE-HAND BRAKE ZP

FRAME ASSEMBLY PART 1



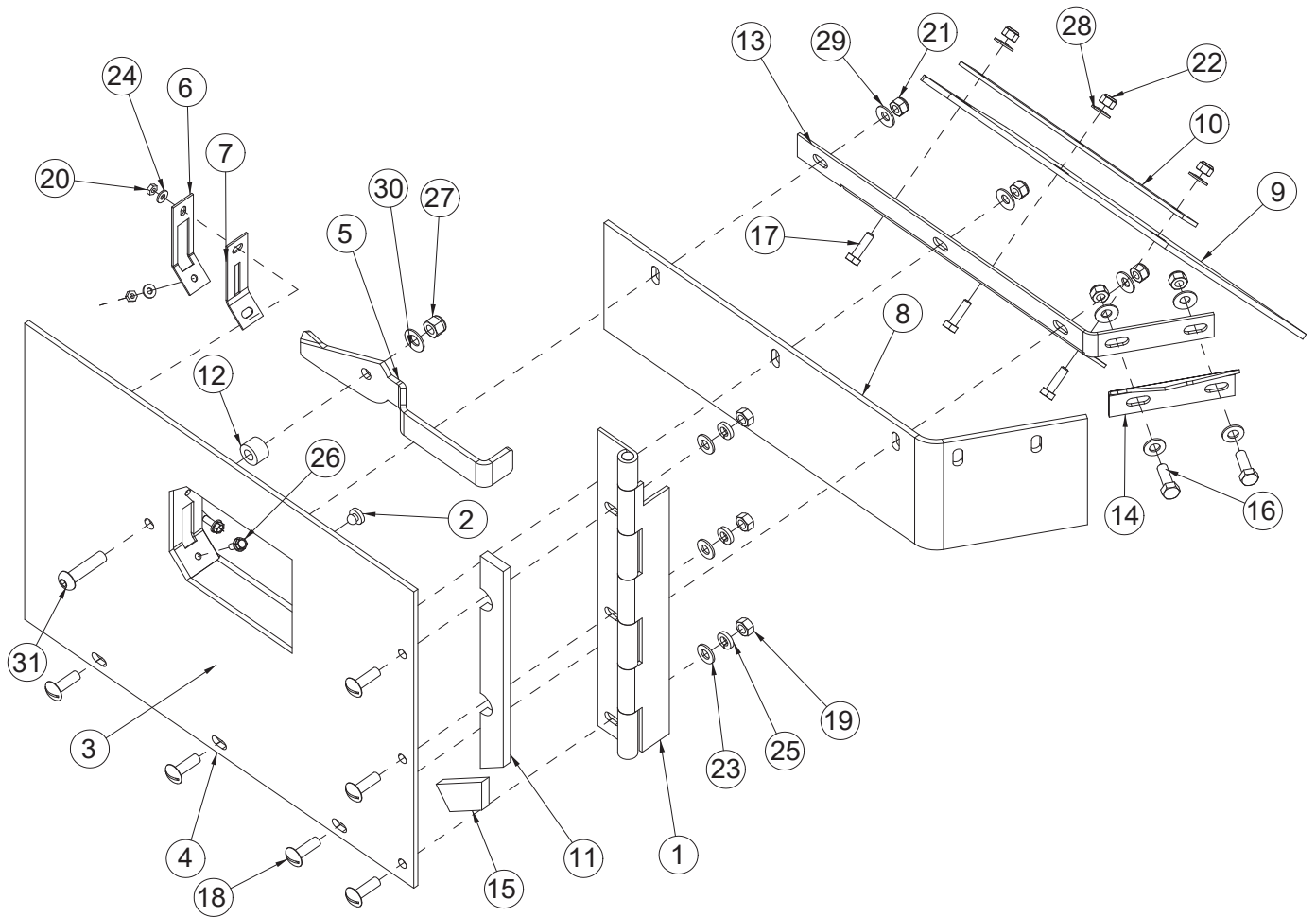
FRAME ASSEMBLY PART 1			
ITEM	PART NO.	QTY	DESCRIPTION
1	3305799	1	MAIN FRAME
2	3344419	1	HARNESS - REAR TSS82
6	3318739	6 FT.	WEATHERSTRIPPING-RUBBER SPONGE
7	3400227	1	SCR-HEX,1/4-20X1.25 ZP
8	3400089	18	WASHER-FLAT 1/4 STANDARD ZP
9	3400059	10	SCR-THM 1/4-20 X .75 SS
10	3307658	1	CHAIN-GROUNDING ARMA
11	711207	8	SCR-HH 1/4-20 X 1.00 ZP GR 5
12	3306209	1	ASSY-BRM DOOR RT WB SUB MS/FS
13	3306208	1	ASSY-BRM DOOR LT WB SUB MS/FS
14	3305785	1	SKIRT-OUTER MB WB
15	3305791	1	ANGLE-FLAP OUTER WB
16	3305792	1	STRAP-SKIRT INNER WB
17	3305786	1	SKIRT-INNER MB WB
18	3400259	8	SCR-FLT,5/16-18X.50,SOC ZP
19	711373	25	NUT-NYLOC 1/4-20 ZP
20	3300206	1	STRAP HOPPER FRAME
21	3300180	1	SEAL-HOPPER FRAME
22	3300397	2	SEAL-HOPPER SIDE
23	3300150	2	RETAINER-SEAL SIDE PNTD
24	3301362	1	ASSY-WIRE ENGINE GROUND

FRAME ASSEMBLY PART 2



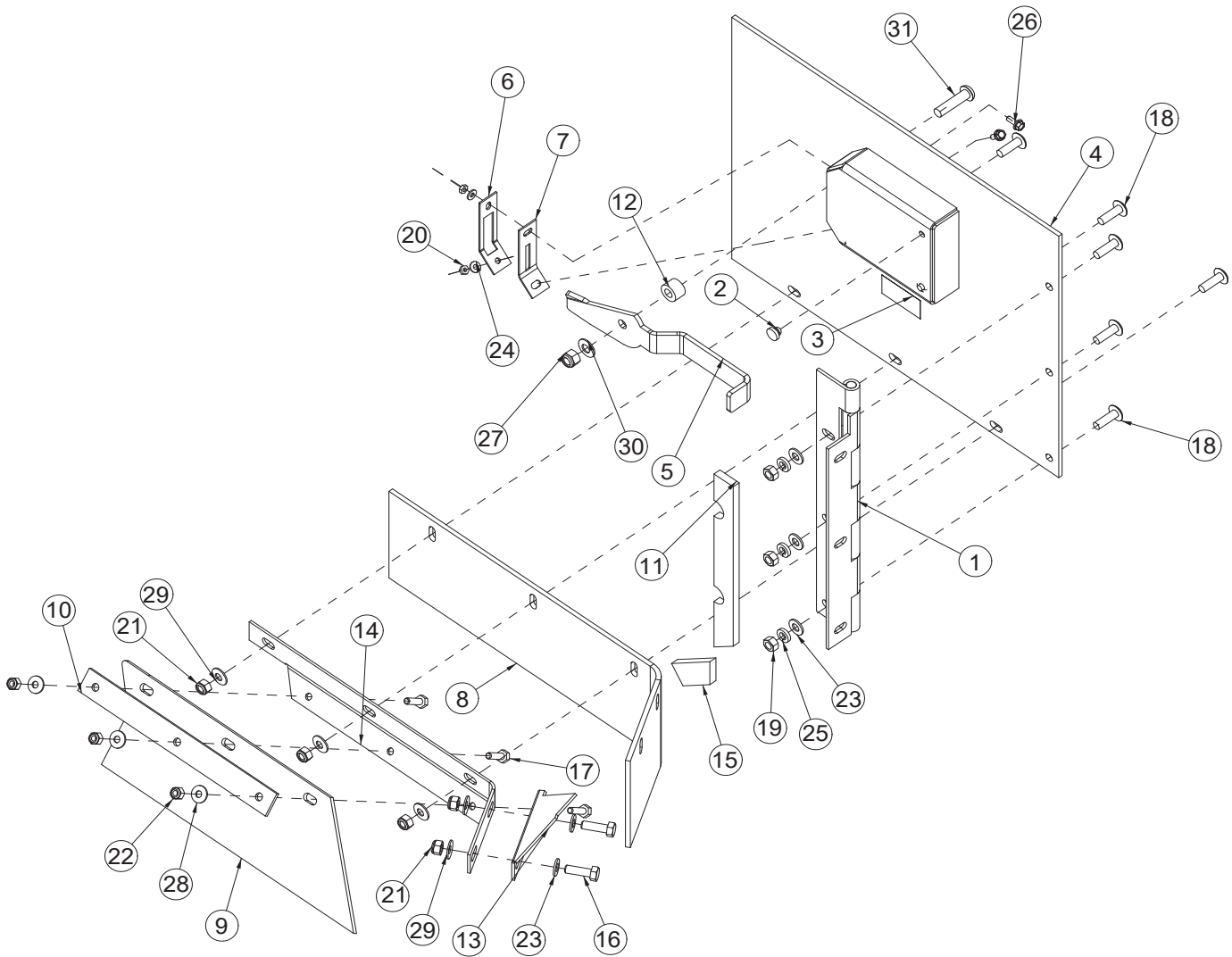
FRAME ASSEMBLY PART 2			
ITEM	PART NO.	QTY	DESCRIPTION
1	3300380	2	LATCH ASSY-#C2-10-301-50
2	3300935	1	WELD-RET SC DOOR LH
3	3301225	1	WELD-SCRUB DOOR LH
4	3301290	1	SQUEEGEE STOP-RH
5	3301386	1	SEAL-MB LIFT ROD
6	3301413	1	SUPPORT-DRAIN HOSE
7	3500118	FT	EDGING-VINYL TRIM 1/8"
8	3305876	1	SQUEEGEE STOP-LH PNTD WB
9	3306246	1	RETAINER-SEAL MAINBROOM LIFT ROD
10	3309010	1	WELD-BUMPER EXTENSION
11	3309017	1	GUARD LH-SOL/REC TANK
12	3309018	1	GUARD RH-SOL/REC TANK
13	3309019	1	SAFETY LEG-PLASTIC TANK RH
13A	3309021	1	SAFETY LEG-PLASTIC TANK LH
14	3309037	1	WELD-SQUEEGEE GUARD
15	3319087	1	ASSY-SQ SOLENOID SUB
16	3321406	1	WELD-RET SCRUB DOOR RH
17	3334625	2	LIGHT-COMBO INCANDESCENT 12 VOLT
18	3343729	1	WELD-SCRUB DOOR, RH,
19	3343740	1	TIE DOWN-UNIVERSAL, REAR
20	3400035	4	SCR-HH 5/16-18 X 1.00 ZP GR 5
21	3400020	4	SCR-HEX,1/2-13X2.00 ZP
22	712010	4	SCR-HH 1/2-13 X 1.25 ZP GR 5
23	711250	2	SCR-HH 3/8-16 X 1.25 ZP GR 5
24	3400035	1	SCR-HEX,5/16-18X1.00 ZP
25	3400056	2	SCR-TRS,5/16-18X1.00,SLT ZP
26	711376	8	NUT-NYLOC 1/2-13 ZP
27	711380	2	NUT-NYLOC 3/8-16 ZP
28	711374	4	NUT-NYLOC 5/16-18 ZP
29	3400086	8	WASHER-FLAT 1/2 STANDARD ZP
30	3400087	2	WASHER-FLAT 3/8 STANDARD ZP
31	3400384	1	WASHER-CONICAL SPRING 5/16
32	3400387	8	WASHER-CONICAL SPRING 1/2
33	3400390	1	NUT-FLANGE LOCK 5/16-18

ASSEMBLY BROOM DOOR RIGHT



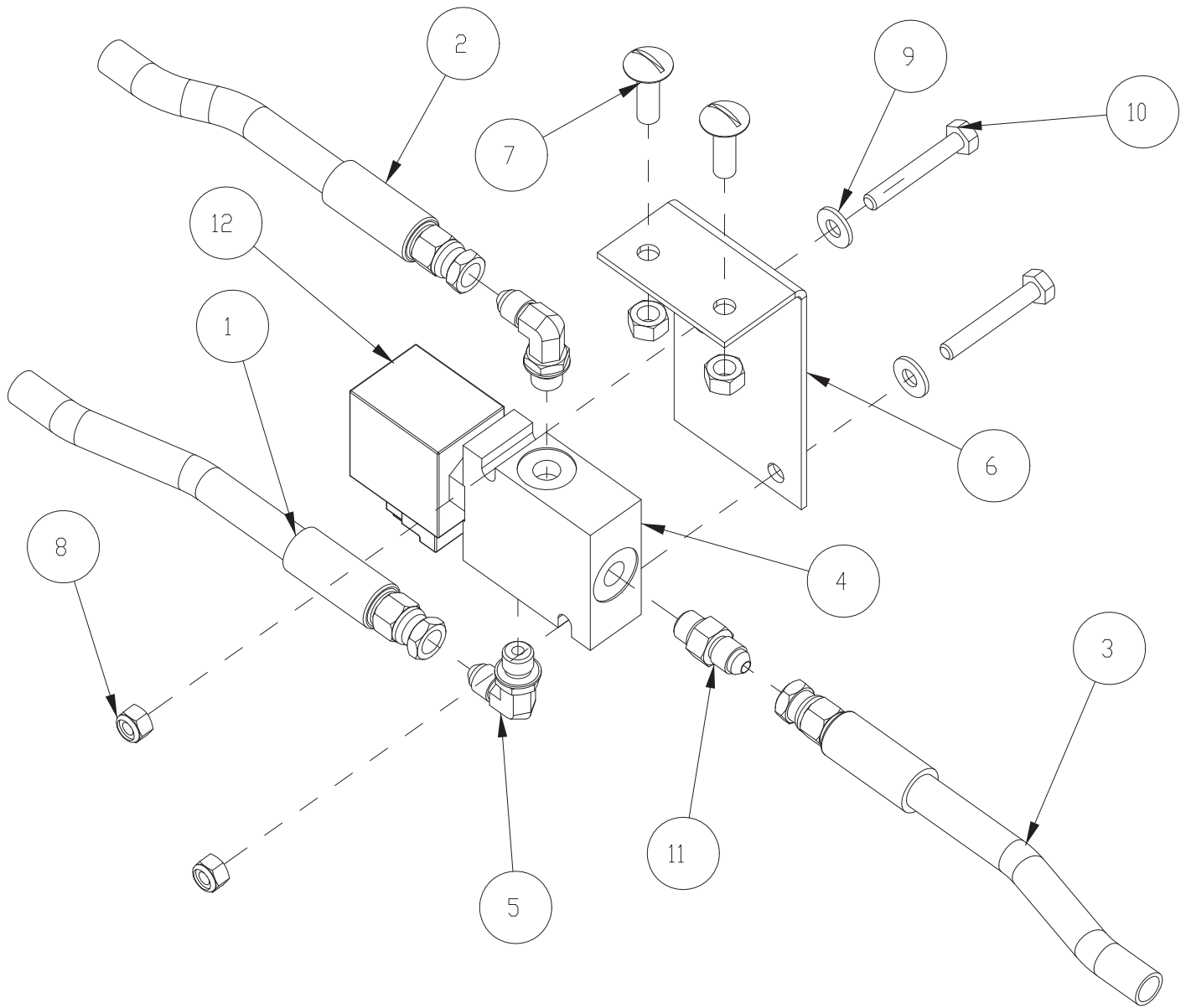
ASSEMBLY BROOM DOOR RIGHT - 3306209			
ITEM	PART NO.	QTY	DESCRIPTION
1	3300244	1	HINGE- WD BRM DOOR RH
2	3300526	1	BUMPER - 1/4 ID X 1/8 THK
3	3303495	1	DECAL-QUALITY CHECK
4	3305854	1	O/S WELD-DOOR MAIN BRM WB RT PNTD
5	3305864	1	HANDLE-BRM DOOR WB RIGHT PNTD
6	3305866	1	RETAINER-BRM DR LATCH SEAL WD
7	3305869	1	SEAL-BROOM DOOR LATCH WB
8	3305870	1	FLAP-BROOM DOOR WB
9	3306377	1	FLAP-INNER BROOM DOOR WB
10	3306380	1	STRAP-FLAP INNER BRM DOOR
11	3309279	1	GASKET-BROOM DOOR FRONT WB
12	3337258	1	STANDOFF - .38 ID X .75 OD X .50 LG
13	3337265	1	MNT RH-FLAP INR BRM DOOR PNTD
14	3337266	1	PLT - BRM FLAP MNT FRONT
15	3337267	1	GASKET-BRM DOOR LOWER
16	3400035	2	SCR-HEX 5/16-18X1.00 ZP
17	3400041	3	SCREW-HHM 1/4-20 X .875 LG ZP
18	3400056	6	SCR-TRS, 5/16-18X1.00, SLT ZP
19	3400070	3	NUT-HEX 5/16-18 ZP
20	3400072	2	NUT-HEX # 10-32 ZP
21	3400080	5	NUT-HEX 5/16-18 ES ZP
22	3400081	3	NUT-HEX 1/4-20 ES ZP
23	3400088	5	WASHER 5/16 ID .688 OD X .065 THK
24	3400096	2	WASHER-FLAT #8 ZP
25	3400102	3	WSR-LOCK 5/16, ZP
26	3400315	2	SCR-HEX 10-32 X 1/2 ZP
27	3400342	1	NUT-HEX 3/8-24 ES ZP
28	3400383	3	WASHER CONICAL SPRING 1/4
29	3400384	5	WASHER CONICAL SPRING 5/16
30	3400385	1	WASHER CONICAL SPRING 3/8
31	3401080	1	SCR-ROUND SOCKET 3/8-24 X 1 1/2

ASSEMBLY BROOM DOOR LEFT



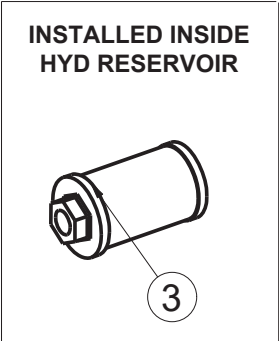
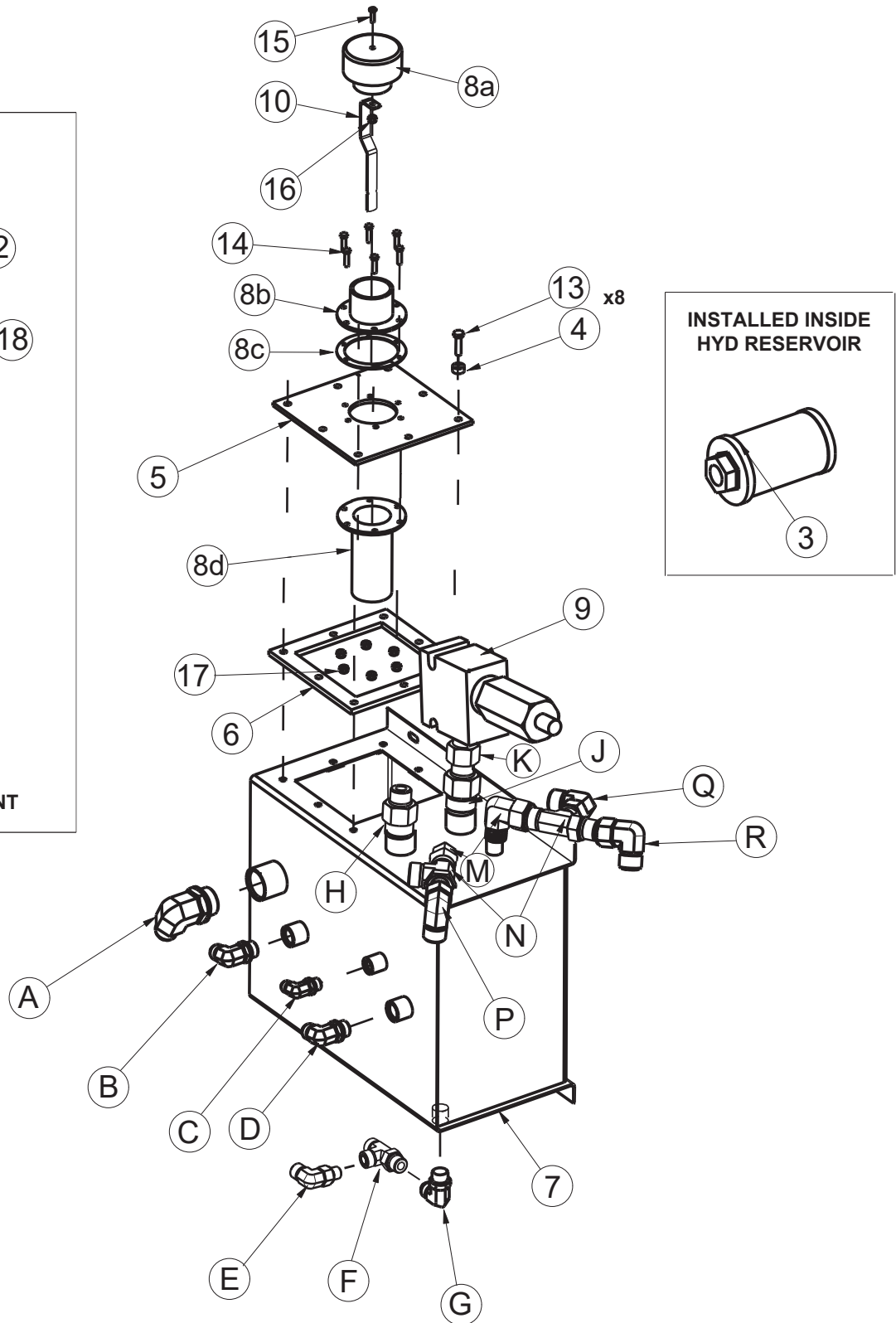
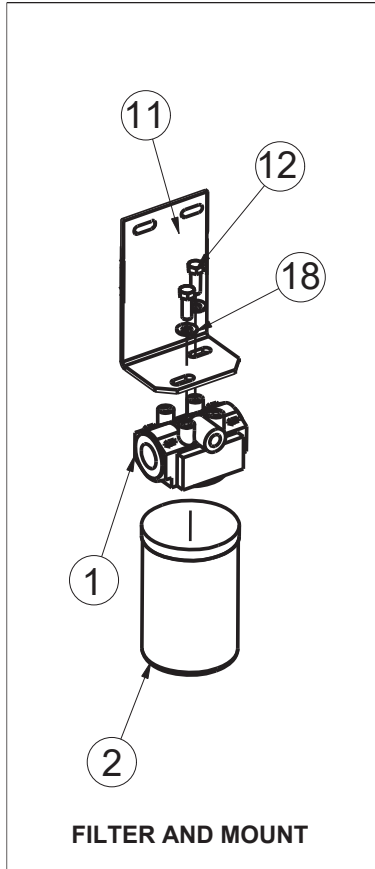
ASSEMBLY BROOM DOOR LEFT - 3306208			
ITEM	PART NO.	QTY	DESCRIPTION
1	3300026	1	HINGE- WD BRM DOOR LH
2	3300526	1	BUMPER - 1/4 ID X 1/8 THK
3	3303495	1	DECAL-QUALITY CHECK
4	3305855	1	O/S WELD-DOOR MAIN BRM WB LT PNTD
5	3305865	1	HANDLE-BRM DOOR WB RIGHT PNTD
6	3305866	1	RETAINER-BRM DR LATCH SEAL WD
7	3305869	1	SEAL-BROOM DOOR LATCH WB
8	3305870	1	FLAP-BROOM DOOR WB
9	3306377	1	FLAP-INNER BROOM DOOR WB
10	3306380	1	STRAP-FLAP INNER BRM DOOR
11	3309279	1	GASKET-BROOM DOOR FRONT WB
12	3337258	1	STANDOFF - .38 ID X .75 OD X .50 LG
13	3337261	1	PLT - BRM FLAP MNT FRONT LH
14	3337262	1	PLT - BRM FLAP INR LH MNT
15	3337267	1	GASKET-BRM DOOR LOWER
16	3400035	2	SCR-HEX 5/16-18X1.00 ZP
17	711206	3	SCR-HH 1/4-20 X .87 ZP GR 5
18	3400056	6	SCR-TRS, 5/16-18X1.00, SLT ZP
19	3400070	3	NUT-HEX 5/16-18 ZP
20	711310	2	NUT-HEX 10-32 ZP
21	711374	5	NUT-NYLOC 5/16-18 ZP
22	711373	3	NUT-NYLOC 1/4-20 ZP
23	3400088	5	WASHER 5/16 ID .688 OD X .065 THK
24	3400096	2	WASHER-FLAT #8 ZP
25	3400102	3	WSR-LOCK 5/16, ZP
26	3400315	2	SCR-HEX 10-32 X 1/2 ZP
27	3400342	1	NUT-HEX 3/8-24 ES ZP
28	3400383	3	WASHER CONICAL SPRING 1/4
29	3400384	5	WASHER CONICAL SPRING 5/16
30	3400385	1	WASHER CONICAL SPRING 3/8
31	3401080	1	SCR-ROUND SOCKET 3/8-24 X 1 1/2

SQUEEGEE SOLENOID VALVE



SQUEEGEE SOLENOID VALVE - 3319087			
ITEM	PART NO.	QTY	DESCRIPTION
1	675721	1	HOSE-1/4 AR 72.50 ST#5 ST#4
2	675720	1	HOSE-1/4 AR 76.50 ST#5 ST#4
3	675719	1	HOSE-1/4 AR 25.50 ST#5 ST#4
4	3302091	1	VALVE-WATERMAN 3-WAY (SQUEEGEE)
5	675507	2	FTG-STR THD ELBOW -4 ORFS TO -4 SAE
6	3303124	1	ASSY-BRKT. HYD. SQUEEGEE SOL
7	3400056	2	SCR-TRS, 5/16-18X1.00, SLT ZP
8	711373	2	NUT-NYLOC 1/4-20 ZP
9	3400089	2	WASHER 1/4 ID .63 OD X .065 THK
10	3400173	2	SCREW-HHM 1/4-20 X 1.75 LG ZP
11	675508	1	FTG-STR THD CONNECTOR -4 ORFS TO -4 SA
12	3304501	1	COIL-WATERMAN VALVE (3302091)
11	3400212	1	FTG-4MORB X 4JIC
12	3304501	1	COIL-WATERMAN VALVE (3302091)

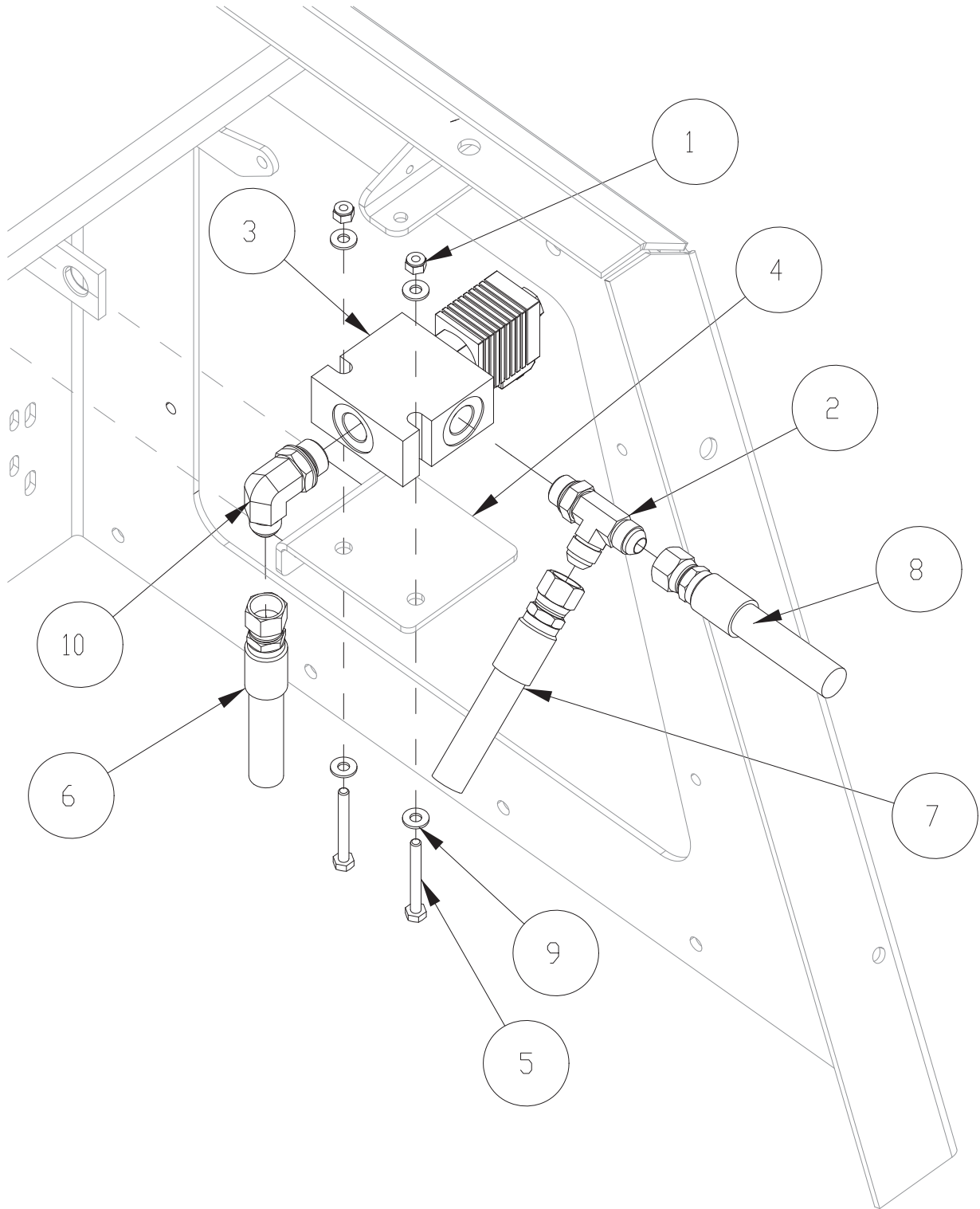
HYDRAULIC RESERVOIR MOUNTING AND FILTER



HYDRAULIC RESERVOIR MOUNTING AND FILTER			
ITEM	PART NO.	QTY	DESCRIPTION
1	3300358	1	ASSY-HYDRAULIC FILTER
2	3305576	1	ASSY-FILTER/BREATHER FLOW EZY
3	3300360	1	STRAINER-HYDRAULIC RESER
4	3302249	8	SPACER-NYLON .56 OD .25 ID .26
5	3302372	1	COVER-RESERVOIR MS PNTD
6	3302995	1	GASKET-HYD RESEVOIR
7	3304831	1	WELD-RESERVOIR HYD TOYOTA PNTD
8	3305576	1	ASSY-FILTER/BREATHER FLOW EZY
9	3306870	1	VALVE-RELIEF POWER STEERING
10	3312273	1	DIPSTICK-HYD SW/62 DSL ZP
11	3344777	1	MNT-HYDRAULIC FILTER
12	3400030	2	SCR-HH 3/8-16 X 1.00 ZP GR 5
13	3400040	8	SCR-HH 1/4-20 X 1.00 ZP GR 5
14	3400044	6	SCR-HH 10-32 X .75 ZP SERR FLANGE
15	3400045	1	SCR-PHMS 8-32X0.62 ZP SLOT HEAD
16	3400082	1	NUT-NYLOC 8-32 ZP
17	3400172	6	NUT-JAM 10-32 ZP NYLOC
18	3400385	2	WASHER-CONICAL SPRING 3/8

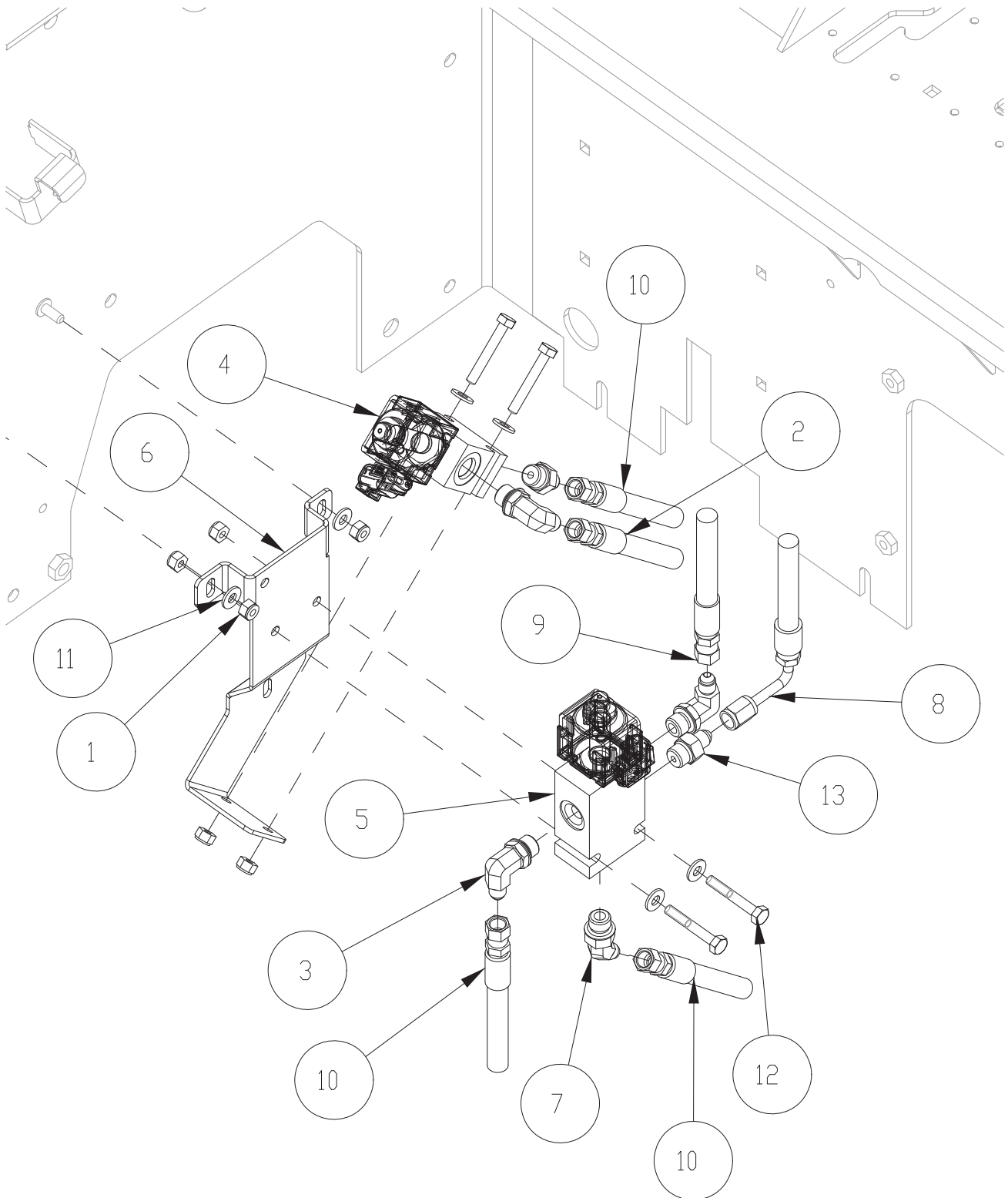
FITTINGS AND HOSES			
ITEM	FITTING	QTY	HOSE (IF APPLICABLE)
A	675536	1	675705
B	675520	1	675701
C	675546	1	675735
D	675523	1	675713
E	675580	1	675700
F	675526	1	
G	675523	1	
H	675638	1	675709
J	3309272	1	
K	3309271	1	
M	675568	2	
N	675549	2	675711
P	675739	1	675704
Q	675739	1	675716
R	675739	1	675721

SOLENOID FUNCTION VALVE (CE MODELS)



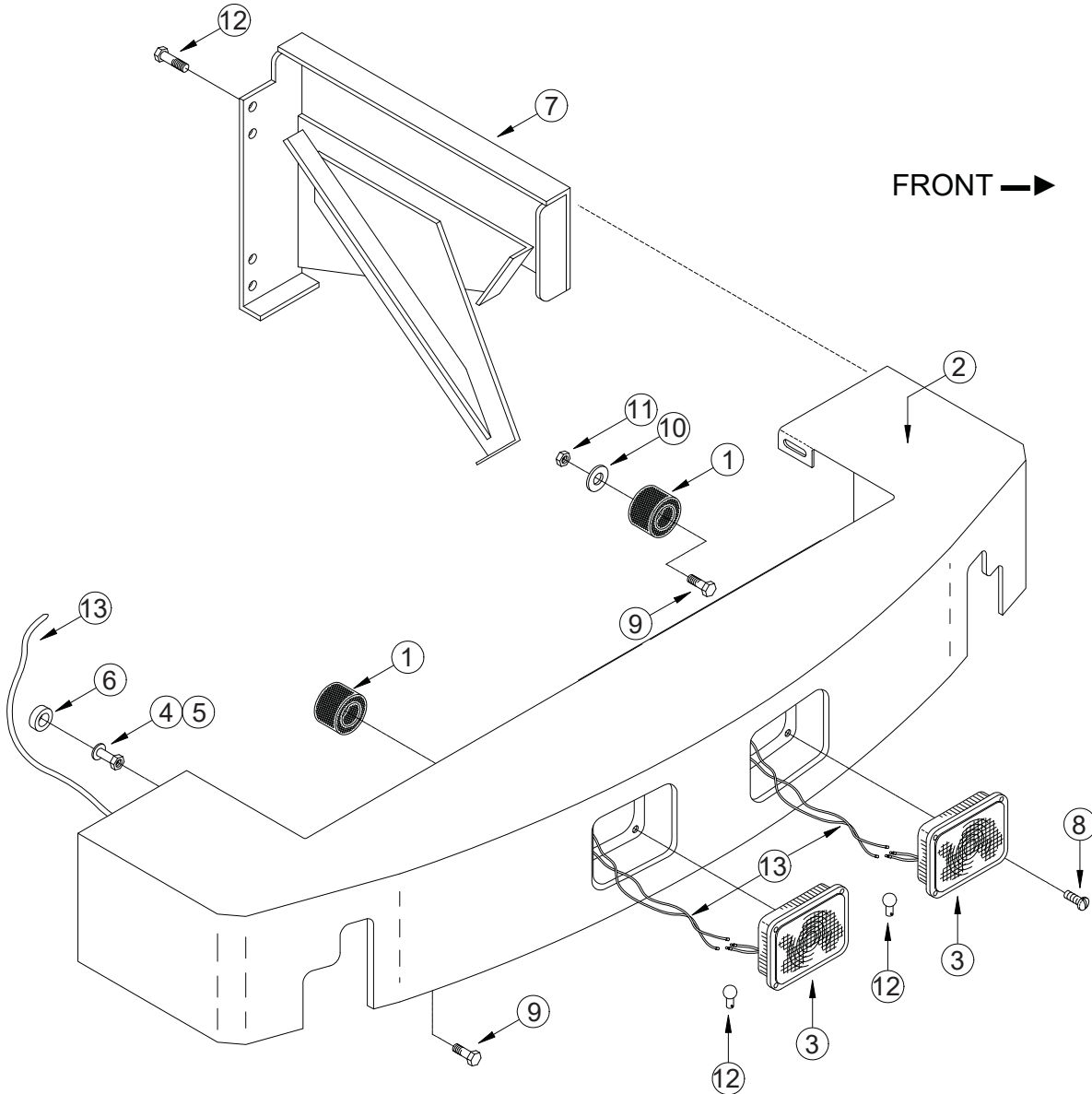
SOLENOID FUNCTION VALVE			
ITEM	PART NO.	QTY	DESCRIPTION
1	711373	2	NUT-NYLOC 1/4-20
2	3400163	1	FTG-TEE OFFSET 3/4-16 TO #8
3	3337364	1	SOLENOID VALVE - (NO), 2-WAY #12, 3300 PSI, 12VDC
4	3344289	1	PLT-BRKT 2-WAY VALVE MNT
5	3400351	2	SCR-HEX, 1/4-20X2.25 ZP
6	3344377	1	HOSE - HYDRAULIC 3000 PSI 1/2"ID X 13.75" LNG
7	3344384	1	HOSE - HYDRAULIC 3000 PSI 1/2"
8	3344403	1	HOSE - HYDRAULIC 3000 PSI 1/2"
9	3400089	4	WASHER 1/4 ID .63 OD X .065 THK
10	3400155	1	FTG-90 EL 8JIC X 10MORB

ROTATION AND LIFT SOLENOID VALVES (CE MODELS)



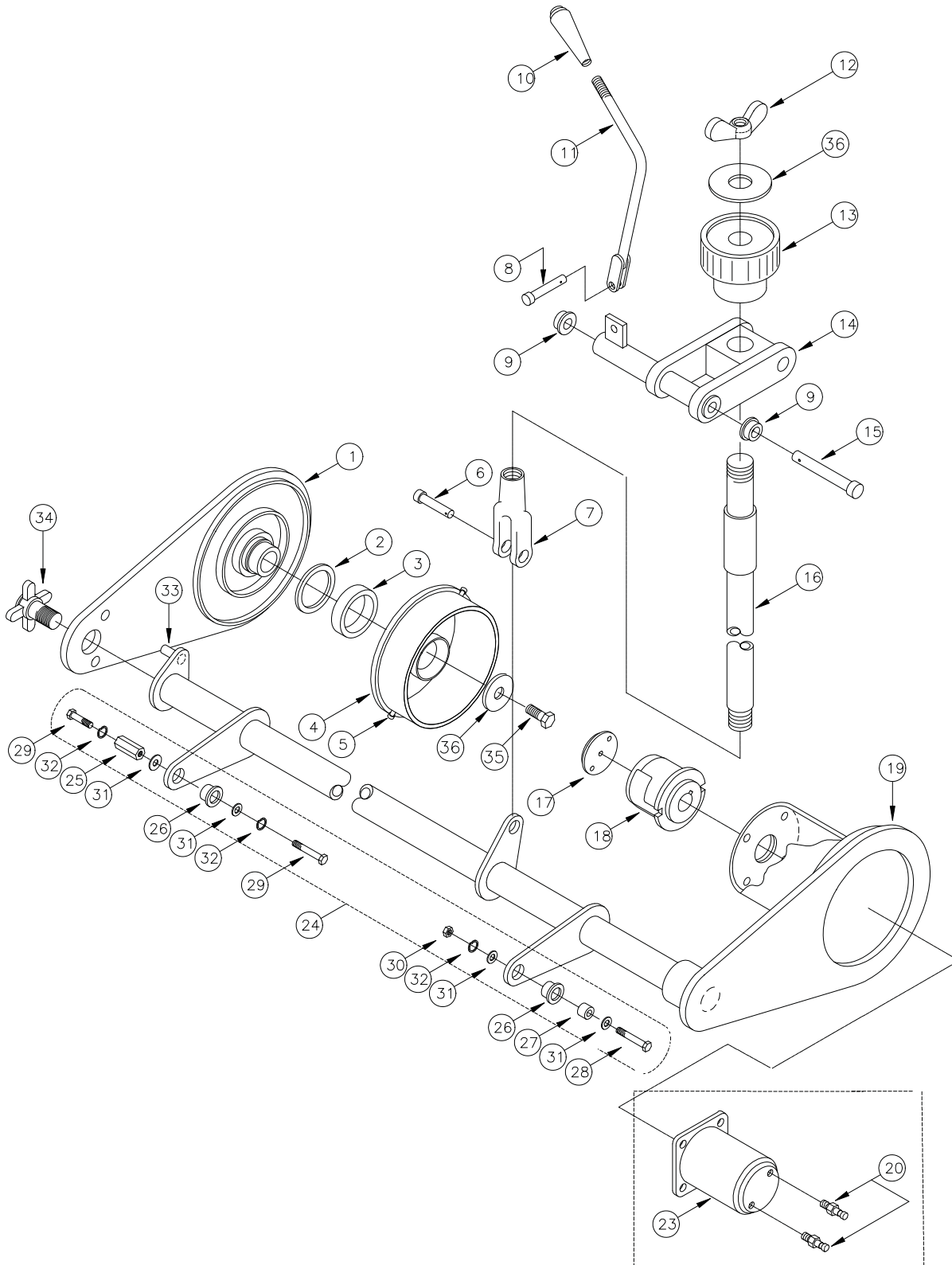
ROTATION AND LIFT SOLENOID VALVES			
ITEM	PART NO.	QTY	DESCRIPTION
1	711373	8	NUT-NYLOC 1/4-20
2	3300652	1	HOSE-.25 AR 62" ST#5 90 #4(S)
3	3400470	3	FTG-90 EL 6MORB TO 4MJIC
4	3337368	1	SOLENOID VALVE - (NC), 2-WAY #6, 3300 PSI, 12VDC
5	3337372	1	SOLENOID VALVE - (NC), 4-WAY #6, 3300 PSI, 12VDC
6	3344288	1	PLT-BRKT VALVE MNTS
7	3401050	1	FTG - 45° #6 SAE ORB X #4 JIC37°
8	3344374	1	HOSE - HYDRAULIC 3000 PSI 1/4"
9	3344375	1	HOSE-.25 AR 87" ST#5 ST#4
10	3344376	3	HOSE - HYDRAULIC 3000 PSI 1/4"
11	3400089	10	WASHER 1/4 ID .63 OD X .065 THK
12	3400173	4	SCREW-HHM 1/4-20 X 1.75 LG ZP
13	3400264	2	FTG-STR 4MJIC X 6MORB
14	3400351	2	SCR-HEX,1/4-20X2.25 ZP

BUMPER & SAFETY LEG



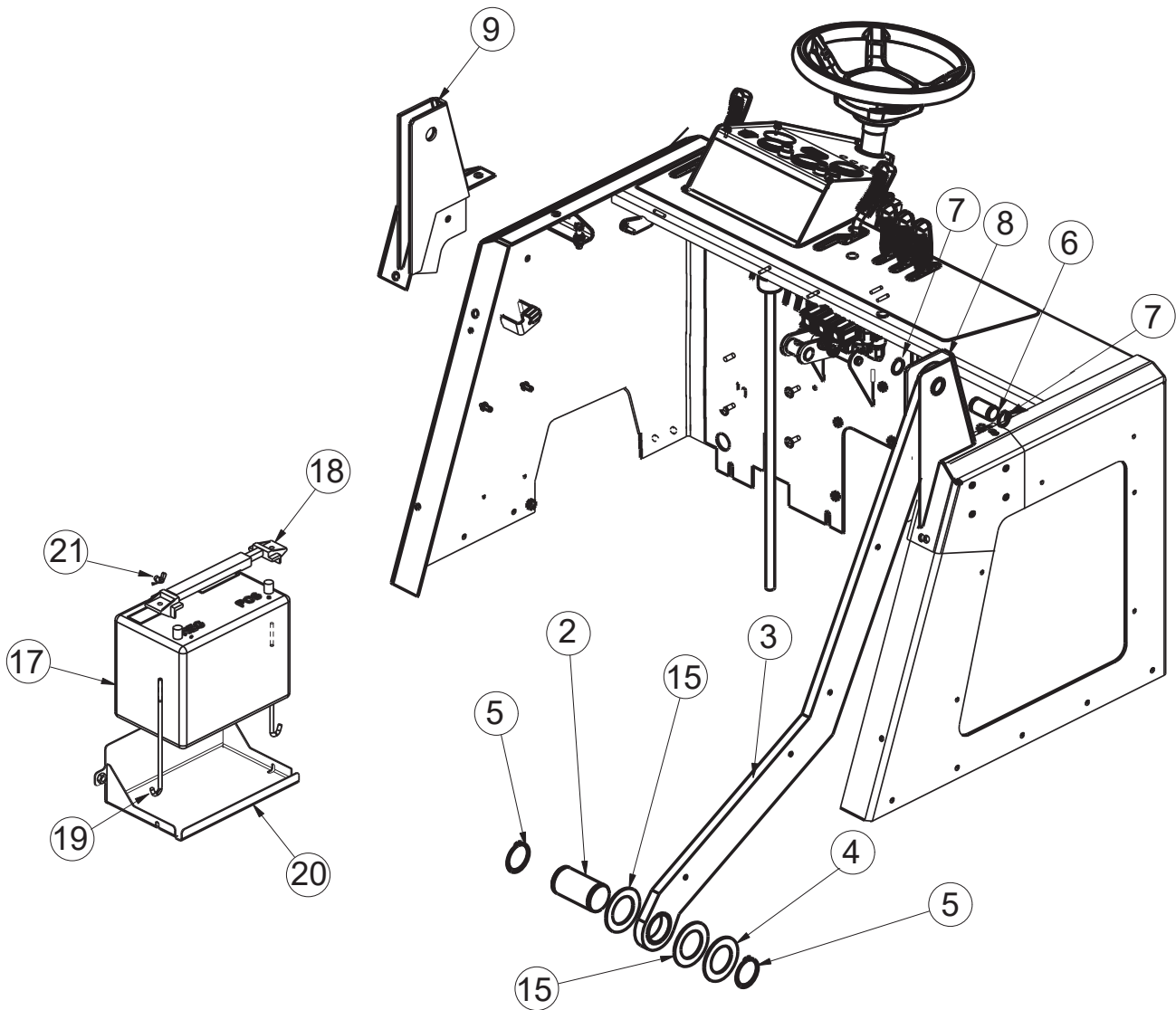
BUMPER & SAFETY LEG			
ITEM	PART NO.	QTY	DESCRIPTION
1	3300338	2	BUMPER, RUBBER
2	3301038	1	WELD-BUMPER FRONT HD PNTD
3	3315839	2	HEADLIGHT-FLUSH MOUNT HALOGEN
4	3400355	4	SCR-LEVEL BOLT 3/8-16 X 2.50ZP
5	3400390	4	NUT-FLANGE LOCK 5/16-18
6	3304624	4	BUMPER-RUBBER CAP
7	3301687	1	WELD-SAFETY LEG HD PNTD
8	3400044	8	SCR-HEX,#10-32X0.75 ZP
9	3400030	1	SCR-HEX,3/8-16X1.00 ZP
10	3400278	2	WASHER-FENDER 3/8
11	3400392	1	NUT-FLANGE LOCK 3/8-16
12	3315869	2	BULB-HALOGEN REPLACEMENT
13	3315331	1	HARNESS-HEADLIGHTS HI-DUMP

MAIN BROOM ASSEMBLY



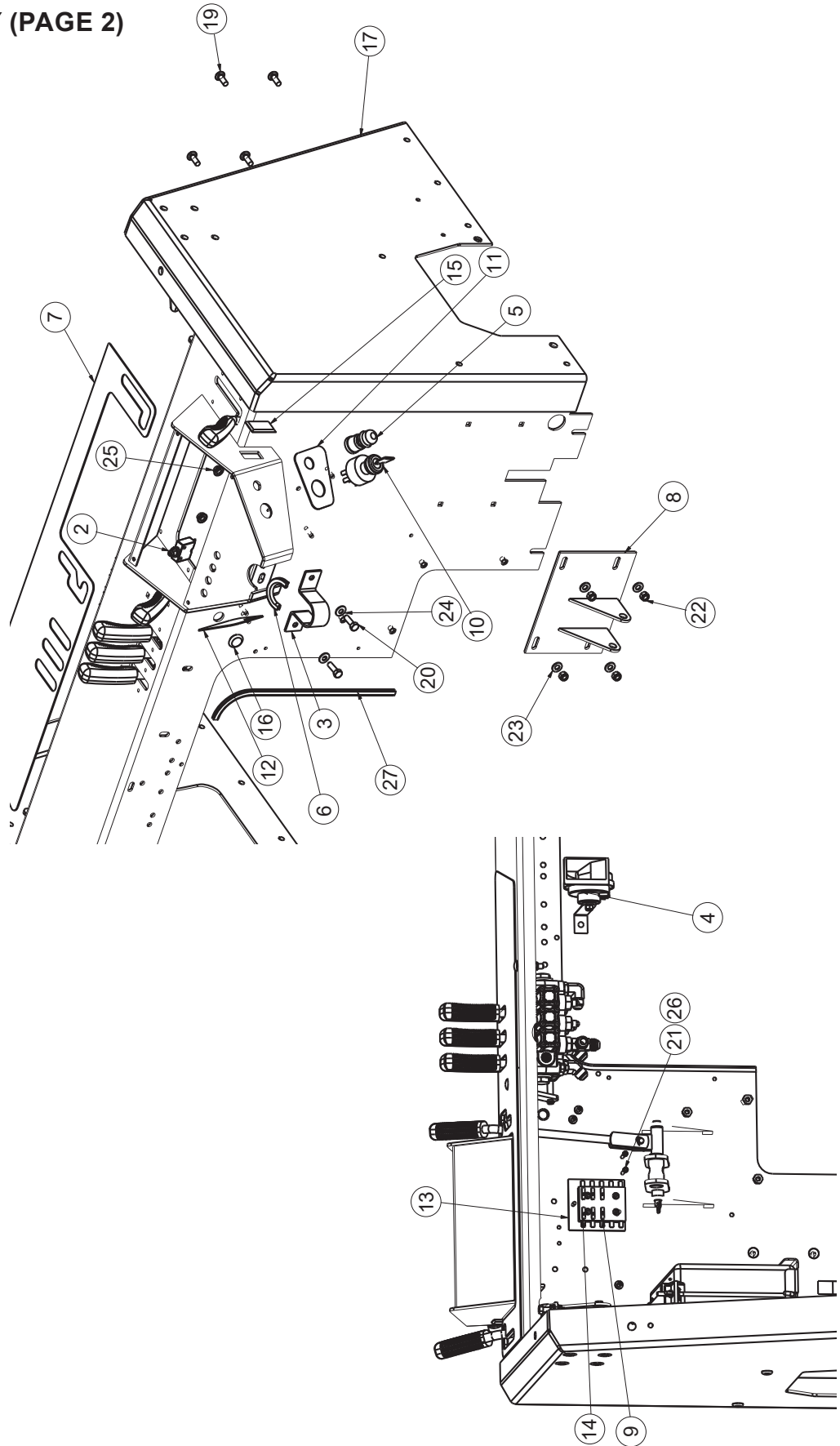
MAIN BROOM ASSEMBLY			
ITEM	PART NO.	QTY	DESCRIPTION
1	3335220	1	WELD-ARM MB IDLER WB PNTD
2	3305666	1	RING-RETAINING MAIN BROOM
3	3305667	1	BEARING-MAIN BROOM
4	3305642	1	HUB-BROOM IDLER PNTD
5	3400047	2	SCR-SOC,5/16-18X0.75 ZP
6	3400116	1	PIN-CLEVIS 3/8 X 1-1/4 ZP
7	3301447	1	CLEVIS-CABLECRAFT AC-218
8	3400185	1	PIN-CLEVIS 5/16 X 1-1/4 ZP
9	3300414	2	BUSHING-PLASTIC MN BRM
10	600264	1	HANDLE CONTURED
11	3345585	1	LEVER MAIN BRM LIFT PLTD
12	3400084	1	NUT-WING 1/2-13 ZP
13	3300352	1	KNOB-MB LIFT ADJ
14	3300088	1	WELD-PIVOT MAIN BROOM PLTD
15	3400113	1	PIN-CLEVIS 3/8 X 5-1/2 ZP
16	3302792	1	ROD-MAIN BROOM LIFT PLTD
17	3301285	1	RETAINER-DR HUB PLTD
18	3301050P	1	HUB-MB DRIVE PNTD
19	3305784	1	WELD-MNT MB WB
20	675523	2	FTG-STR THD ELBOW -8 ORFS TO -8 SAE
23	3338661	1	MOTOR-HYD MAIN BROOM
24	3301448	1	ASSY-KIT HDW MAIN BROOM
ASSEMBLY KIT ABOVE CONTAINS THE FOLLOWING ITEMS:			
25	3300064	1	BLOCK-ADJ MB PLTD
26	3300432	2	BUSHING-FL-52-4
27	3301440	1	SPACER-MAIN BROOM PLTD
28	3400019	1	SCR-HEX,1/2-13X2.50 ZP
29	3400023	2	SCR-HEX,1/2-13X1.00 ZP
30	3400065	1	NUT-HEX 1/2-13 ZP
31	3400086	4	WASHER-FLAT 1/2 STANDARD ZP
32	3400098	3	WASHER-LOCK 1/2 SPLIT ZP
33	3300021	2	PIN-DWL .38 DIA X 1.25
34	3400748	1	KNOB-HAND 1/2-13X1-1/2 DOG PT
35	3400024	1	SCR-HEX,1/2-13X0.75 ZP
36	3400091	2	WASHER-FENDER 1/2 ZP
3335408 - SUB-MB IDLER- INCLUDES ITEMS 1-5,35,36 + RING-NILOS, 2.55"OD,			
*	3335908	1	RING-NILOS, 2.55"OD, 6207 AV

LINTEL ASSEMBLY (PAGE 1)



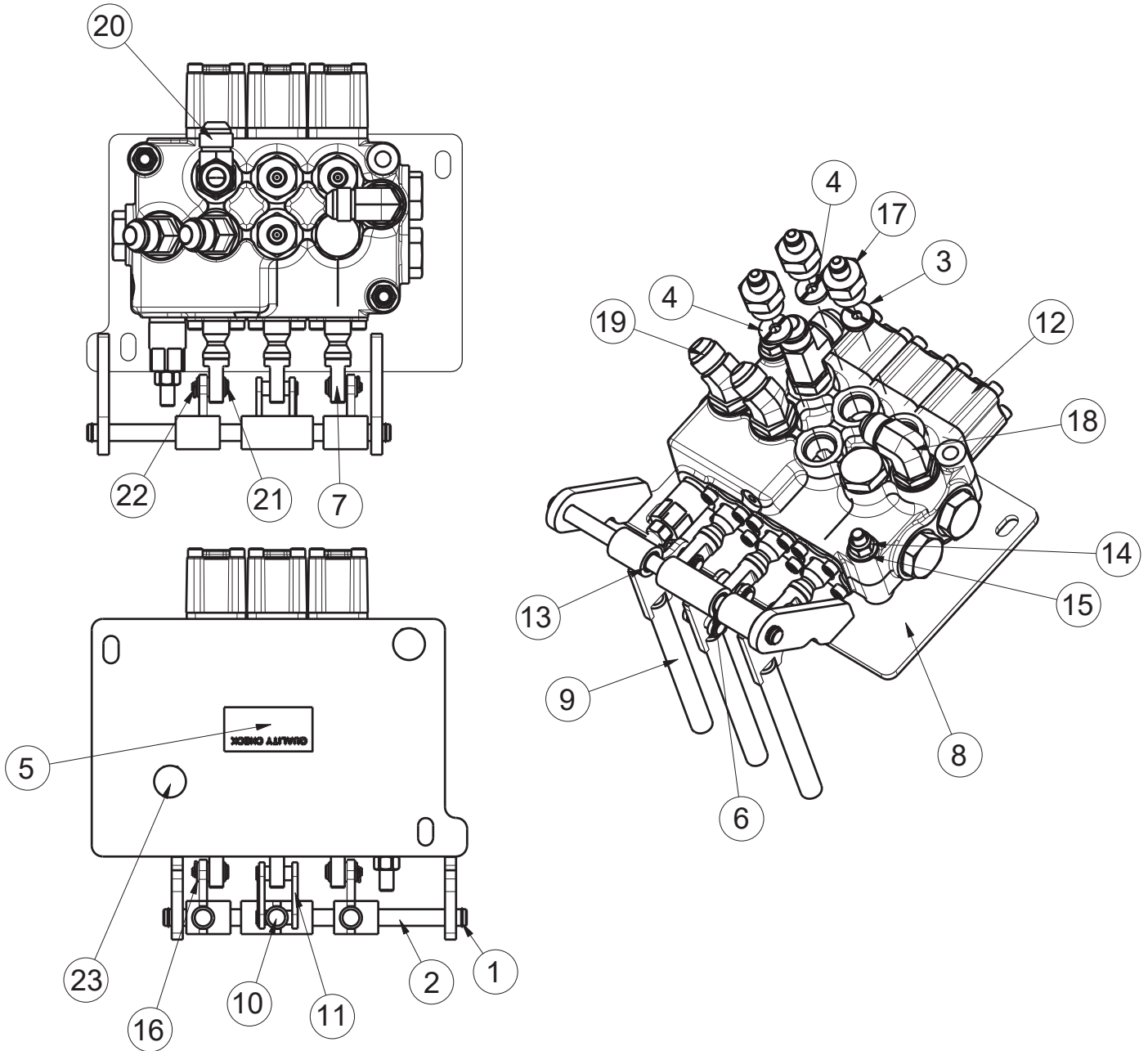
LINTEL ASSEMBLY - 3333654			
ITEM	PART NO.	QTY	DESCRIPTION
1	600264	5	HANDLE CONTURED
2	3300715	1	SHAFT-ARM ROTATING PLATE PLTD
3	3300835	1	ASSY- LIFT ARM SECONDARY HD
4	3300882	1	WASHER-HD 3.25 ODX2.00 ID, ZP
5	3301709	2	RET RING-EXT 2.00
6	3301996	1	PIN-ROT CYL INNER PLTD
7	3301998	2	RING-RETAINING, EXT .940 DIA
8	3330264	1	EAR LH LINTEL HD ORANGE
9	3330266	1	EAR RH LINTEL HD ORANGE
10	3345011	1	SUB-3 SPOOL TSS SCRUBBERS
11	3345582	1	LEVER CURB BROOM PLTD
12	3345585	1	LEVER MAIN BRM LIFT PLTD
13	3400035	1	SCR-HH 5/16-18 X 1.00 ZP GR 5
14	3400088	6	WASHER-FLAT 5/16 X.688 X .065 ZP
15	3400177	2	BEARING-THRUST 2.06 IDX3.25 OD
16	3400384	2	WASHER-CONICAL SPRING 5/16
17	3300440	1	BAT-GAS/DIESEL 12V 650 CCA 125 MIN RESER
18	3301076	1	HOLD DOWN-BATTERY 2-PIECE
19	3301079	2	ROD-BATTERY TIE-DOWN PLTD
20	3333613	1	BATTERY TRAY TSS82-CG13
21	3400085	2	NUT-WING 1/4-20 ZP

LINTEL ASSEMBLY (PAGE 2)



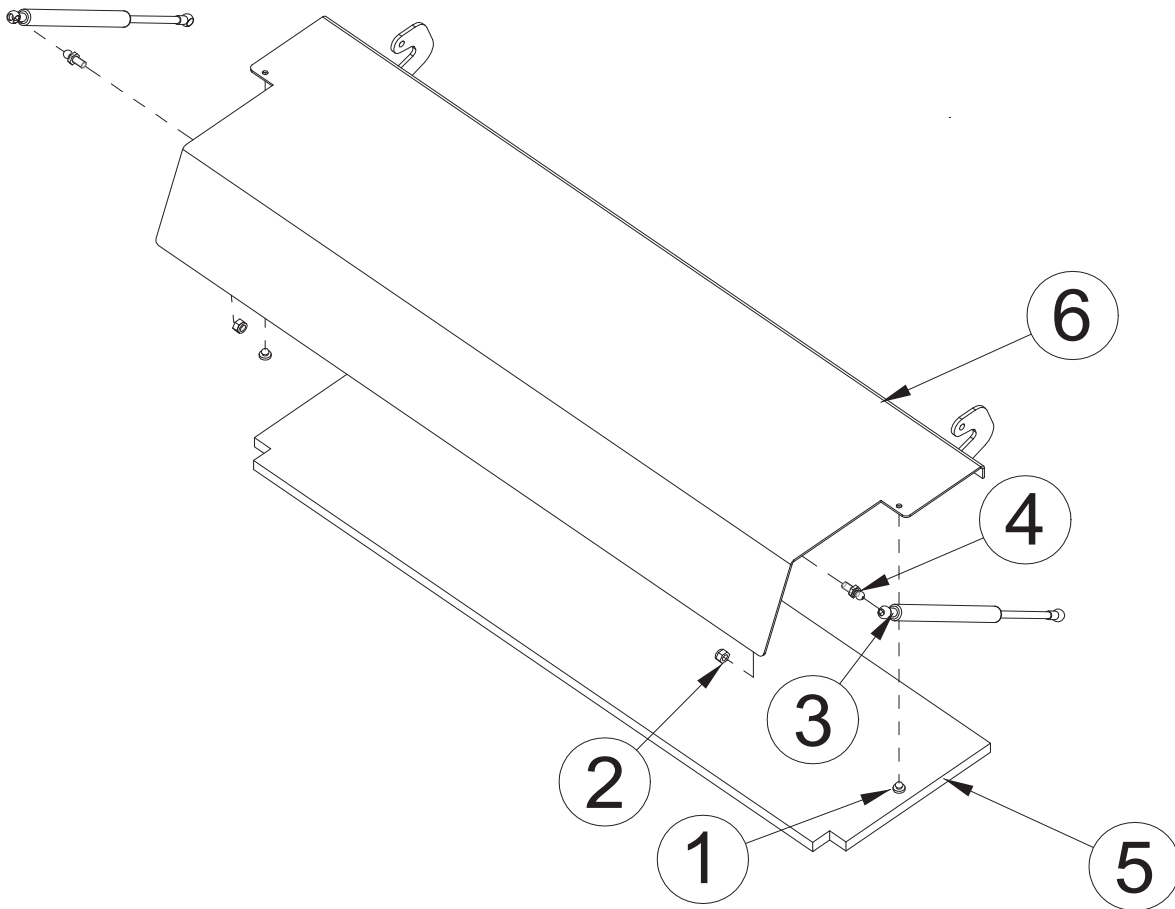
LINTEL ASSEMBLY - 3333654			
ITEM	PART NO.	QTY	DESCRIPTION
1	600264	5	HANDLE CONTURED
2	3026924	1	CIRCUIT BREAKER-45AMP
3	3300228	1	BRKT-STEERING PNTD
4	3300379	1	HORN-12V STANDARD AUTOMOTIVE
5	3300441	1	SWITCH-MOMENTARY STARTER, 12V
6	3301165	1	EDGING-STEERING COLUMN
7	3301615	1	DECAL-LINTEL TOP HD (3-SLOT)
8	3303720	1	BRAKE MOUNT PNTD
9	3312155	1	FUSE-40 AMP ATO
10	3316100	1	SWITCH-IGNITION, 3-POS W/STARTER LOCKOUT
11	3317947	1	DECAL-IGN & HORN MS/FS
12	3317948	1	DECAL-GLOW PLUG/FILTER SHAKER (DIESEL)
13	3322599	1	FUSE BLOCK-ATO FUSE
14	3322601	5	FUSE-15 AMP AUTOMOTIVE PUSH IN
15	3323529	1	PLUG-CARLING CONTURA SWITCH
16	3330356	1	PLUG-PLASTIC HOLE, 3/4, 7 GA
17	3344300	1	WELDMENT-LINTEL TSS/CSS 82
18	3345011	1	SUB-3 SPOOL TSS SCRUBBERS
19	3400009	4	SCR-CAR,5/16-18X1.00 ZP
20	3400035	2	SCR-HH 5/16-18 X 1.00 ZP GR 5
21	3400050	2	SCR-SHCS 10-24 X 1.25 ZP
22	3400080	6	NUT-NYLOC 5/16-18 ZP
23	3400088	6	WASHER-FLAT 5/16 X.688 X .065 ZP
24	3400384	2	WASHER-CONICAL SPRING 5/16
25	3400390	2	NUT-FLANGE WIZZ 5/16-18 ZP
26	3400399	2	NUT-NYLOC 10-24 SS
27	3500118	1	EDGING-VINYL TRIM 1/8" X 250'

SUB-3 SPOOL ASSEMBLY



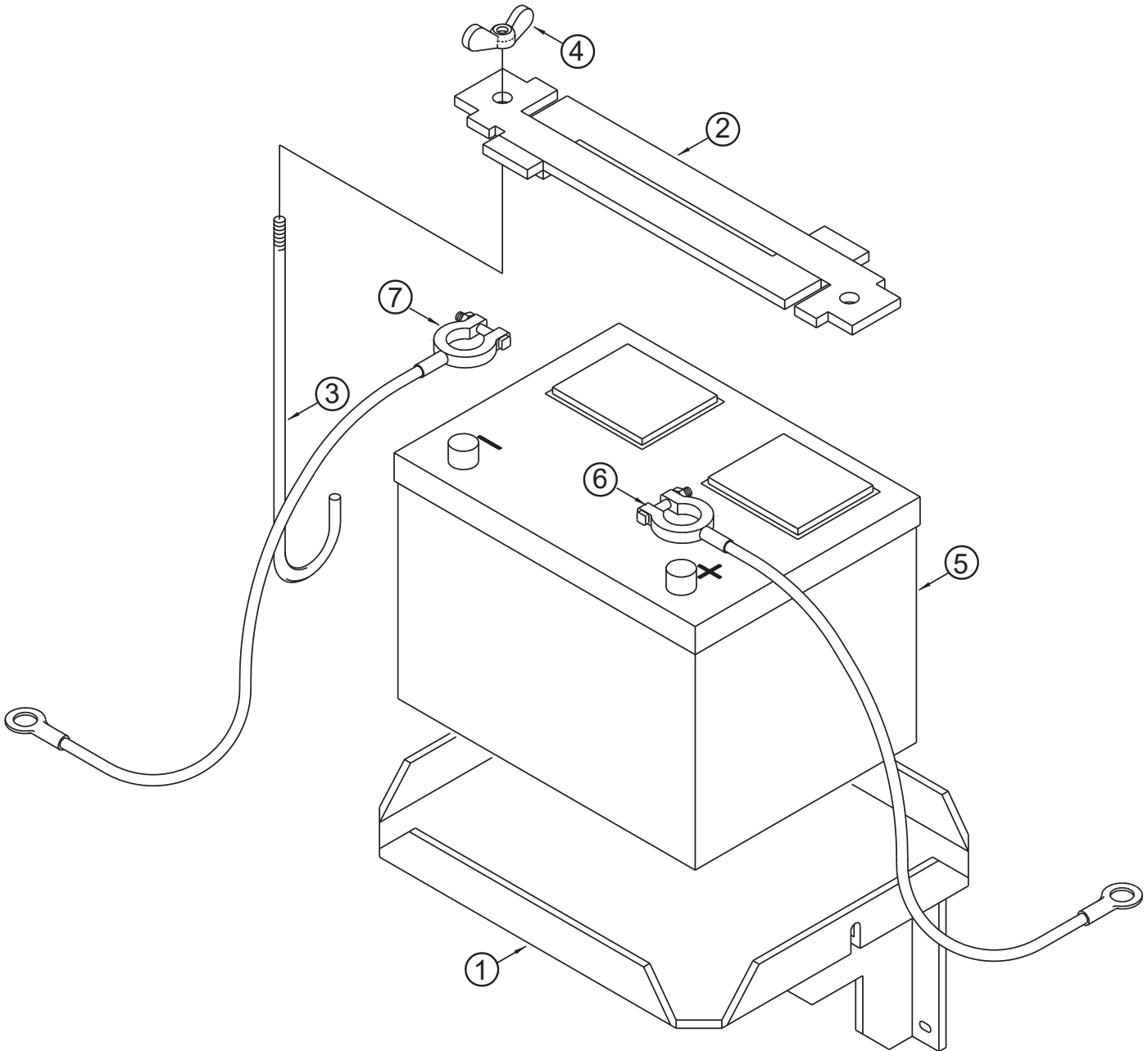
SUB-3 SPOOL ASSEMBLY - 3345011			
ITEM	PART NO.	QTY	DESCRIPTION
1	3300548	2	RET RING-EXT .38
2	3300884	1	ROD-PIVOT CONTROL VALVE PLTD
3	3301683	1	ORIFICE-BRASS #334 .043" DIA "A" HYD 3/4
4	3301685	2	ORIFICE-BRASS #323 .031" DIA "R" 3/4-16
5	3303495	1	DECAL-QUALITY CHECK, VINYL
6	3303996	2	BEARING-PLASTIC 1/2X3/8X.75 LG
7	3338580	2	SPACER-PLASTIC
8	3344242	1	MNT-VALVE
9	3344243	2	WDT-LEVER
10	3344411	1	WDT-HANDLE CENTER
11	3344573	1	ASSY-CONNECTING LINK SET
12	3344574	1	VALVE-3 SPOOL SCRUBBER
13	3344795	4	BEARING-PLASTIC
14	3400080	2	NUT-NYLOC 5/16-18 ZP
15	3400088	2	WASHER-FLAT 5/16 X.688 X .065 ZP
16	3400096	6	WASHER-FLAT #8 X .438 ZP
17	675562	3	FITTING
18	675580	1	FITTING 90 ORFS
19	675527	2	FTG-45 DEG STR THREAD ELBOW -8 ORFS TO
20	675525	1	FTG-STR THD RUN TEE -8 ORFS TO -8 SAE
21	620141	2	PIN-CLEVIS 3/16 X 3/4, ZP
22	3400742	2	RING-RUE 1/4 ZP
23	3401684	2	SCR-CAR 5/16-18 X 2.5 ZP

ENGINE COVERS



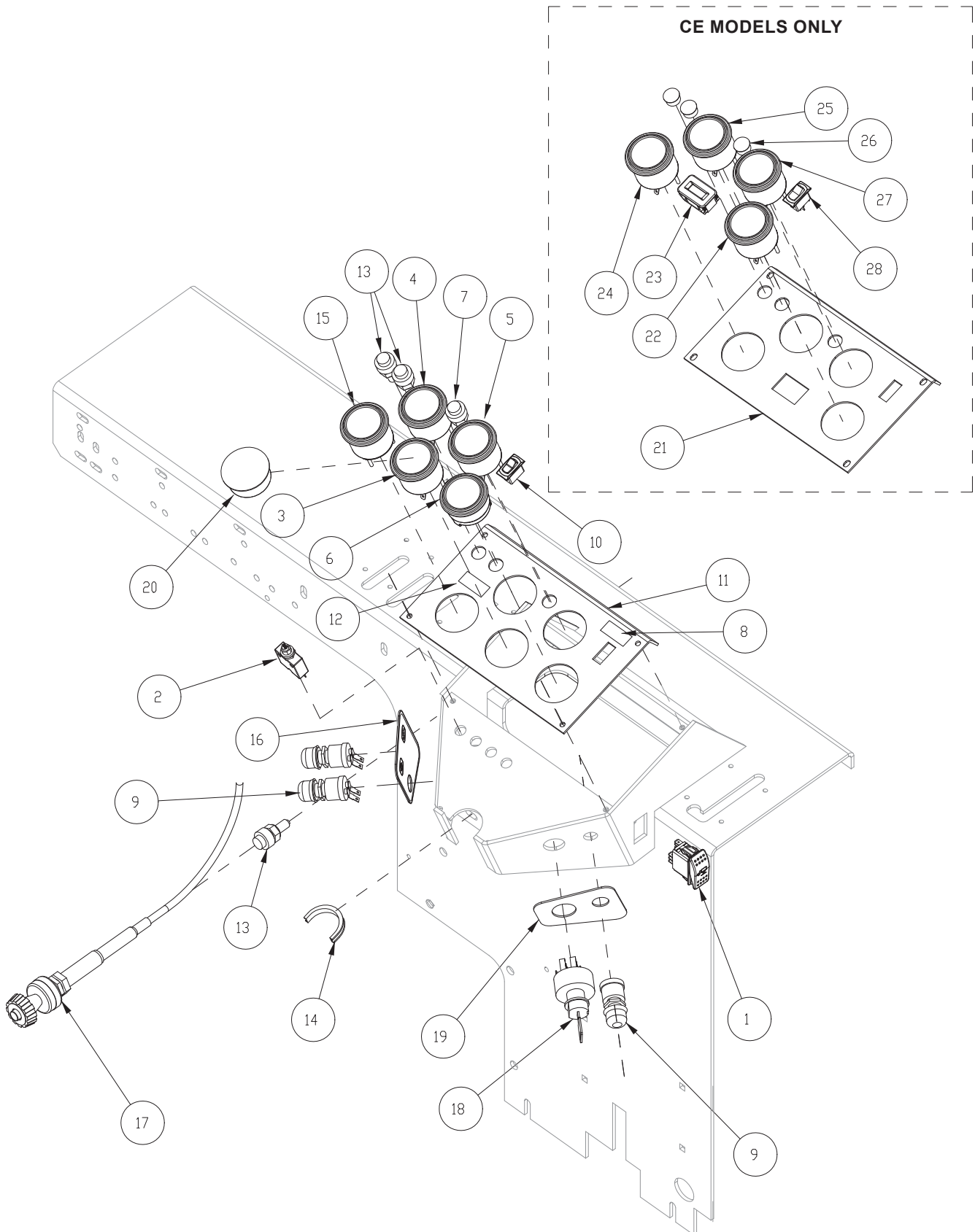
ENGINE COVERS			
ITEM	PART NO.	QTY	DESCRIPTION
1	3300526	2	BUMPER - 1/4 ID X 1/8 THK
2	711374	2	NUT-NYLOC 5/16-18
3	3300375	2	GAS SPRING-8" STROKE
4	3300376	2	STUD-BALL 10MM
5	3302455	1	INSULATION-ENG COVER
6	3345005	1	ENGINE COVER

BATTERY & MOUNT



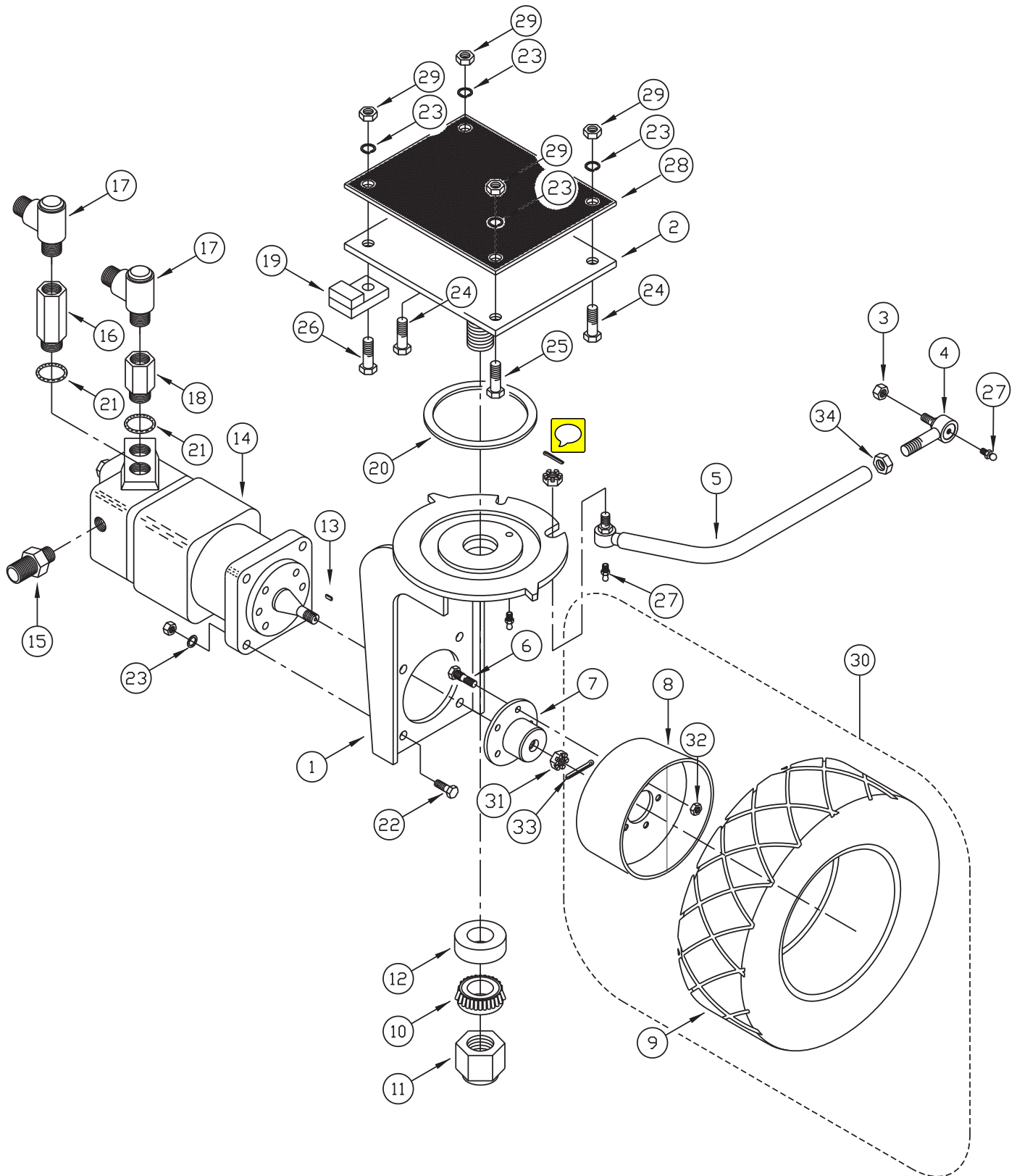
BATTERY & MOUNT			
ITEM	PART NO.	QTY	DESCRIPTION
1	3333613	1	WELD-BATT TRAY
2	3301076	1	HOLD DOWN-BATTERY 2-PIECE
3	3301079	2	ROD-BATTERY TIE-DOWN PLTD
4	3400085	2	NUT-WING 1/4-20 ZP
5	3300440	1	BATTERY-GAS/DIESEL, 12V, 650 C
6	3301384	1	CABLE BATTERY POSITIVE
7	3317662	1	CABLE-BATTERY NEG

INSTRUMENT PANEL



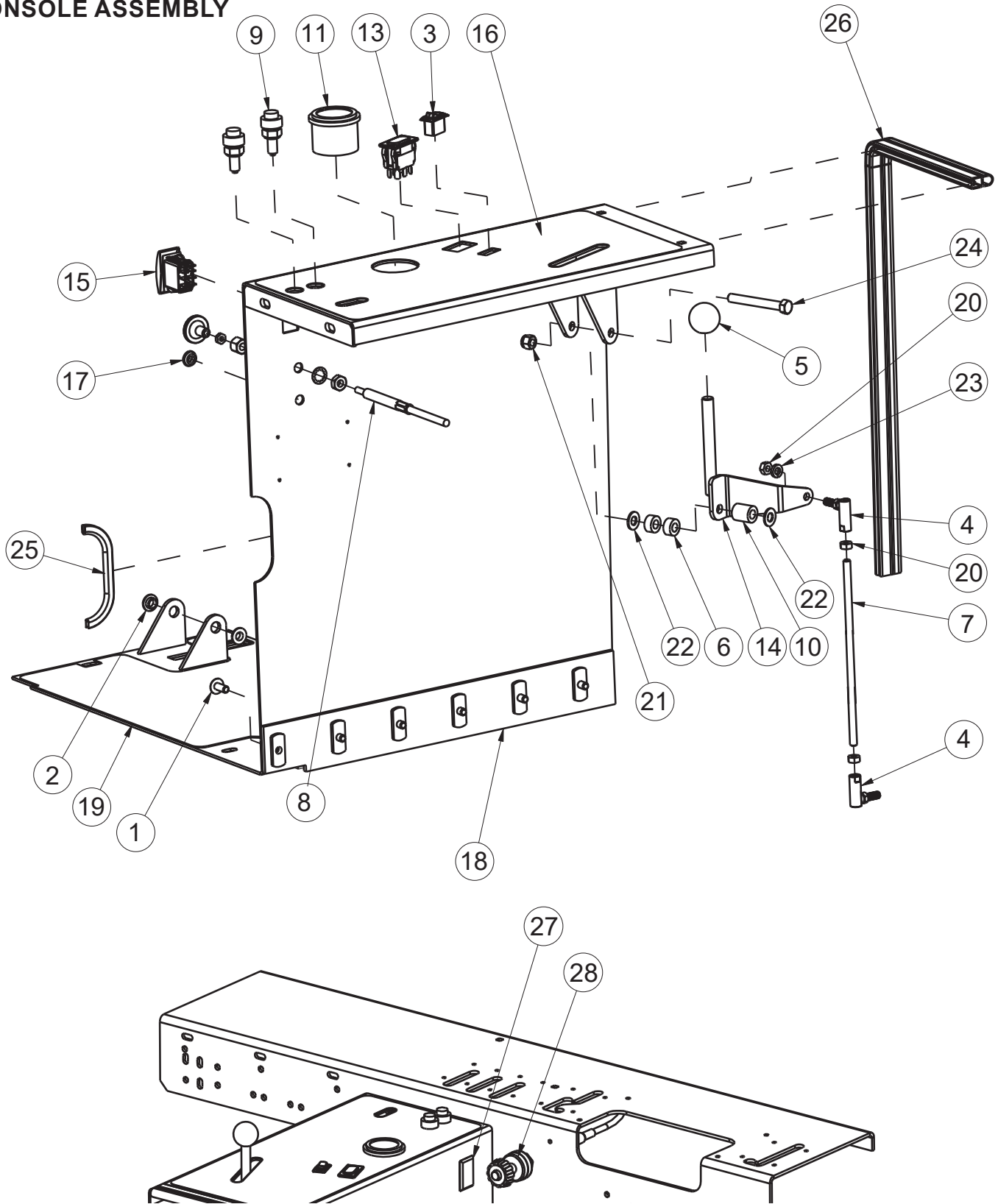
INSTRUMENT PANEL			
ITEM	PART NO.	QTY	DESCRIPTION
1	1925607	1	SWITCH-ROCKER OFF-(ON) HOPPER UNLOCK (CE MODELS ONLY)
2	3026924	1	CIRCUIT BREAKER 45AMP PUSHBUTTON
3	3300382	1	GAGE - FUEL LEVEL
4	3300383	1	GAGE - OIL TEMP
5	3300384	1	GAGE - WATER TEMP
6	3300385	1	GAGE - HOUR
7	3333635	1	LIGHT-INDICATOR AMBER, 12V, 5/
8	3302524	1	DECAL-LIGHT OPTION
9	3300441	3	SWITCH-MOMENTARY STARTER
10	3300442	1	SWITCH-ROCKER LTS/SQUP & DOWN
11	3300860	1	PANEL-INSTRUMENT PNTD
12	3302517	2	DECAL-RTR LIGHTS
13	3301553	4	LIGHT-5/8 DIA, RED, 12V (TRASH RELOC)
14	3302522	-	EDGING-VINYL TRIM 3/16" X 250'
15	3309779	1	GAUGE-VOLTMETER, 2" DIA, 12V
16	3317948	1	DECAL-GLOW PLUG/FILTER SHAKER (DIESEL)
17	3321179	1	CABLE-THROTTLE SW/A (DIESEL ONLY)
18	3316100	1	SWITCH-IGNITION W/O ACC, 3-POS
19	3317947	1	DECAL-IGN & HORN MS/FS
20	3301822	1	PLUG-PLASTIC 2.00" DIA, (LP MODELS ONLY)
CE MODELS ONLY			
21	3344319	1	PLT-GAUGE MNT
22	3344358	1	GAUGE - 2" FUEL LEVEL LIGHTED
23	3336094	1	GAUGE - HOURMETER, DIGITAL, SNAP-IN
24	3344355	1	GAUGE - 2" VOLTMETER 12VDC LIGHTED
25	3344357	1	GAUGE - 2" OIL PRESS 0-80PSI LIGHTED
26	3301669	3	PLUG-HOLE 0.687
27	3344356	1	GAUGE - 2" WATER TEMP 100-250°F LIGHTED
28	3344332	1	SWITCH - TOGGLE 12V LAMP

STEERING FORK ASSEMBLY



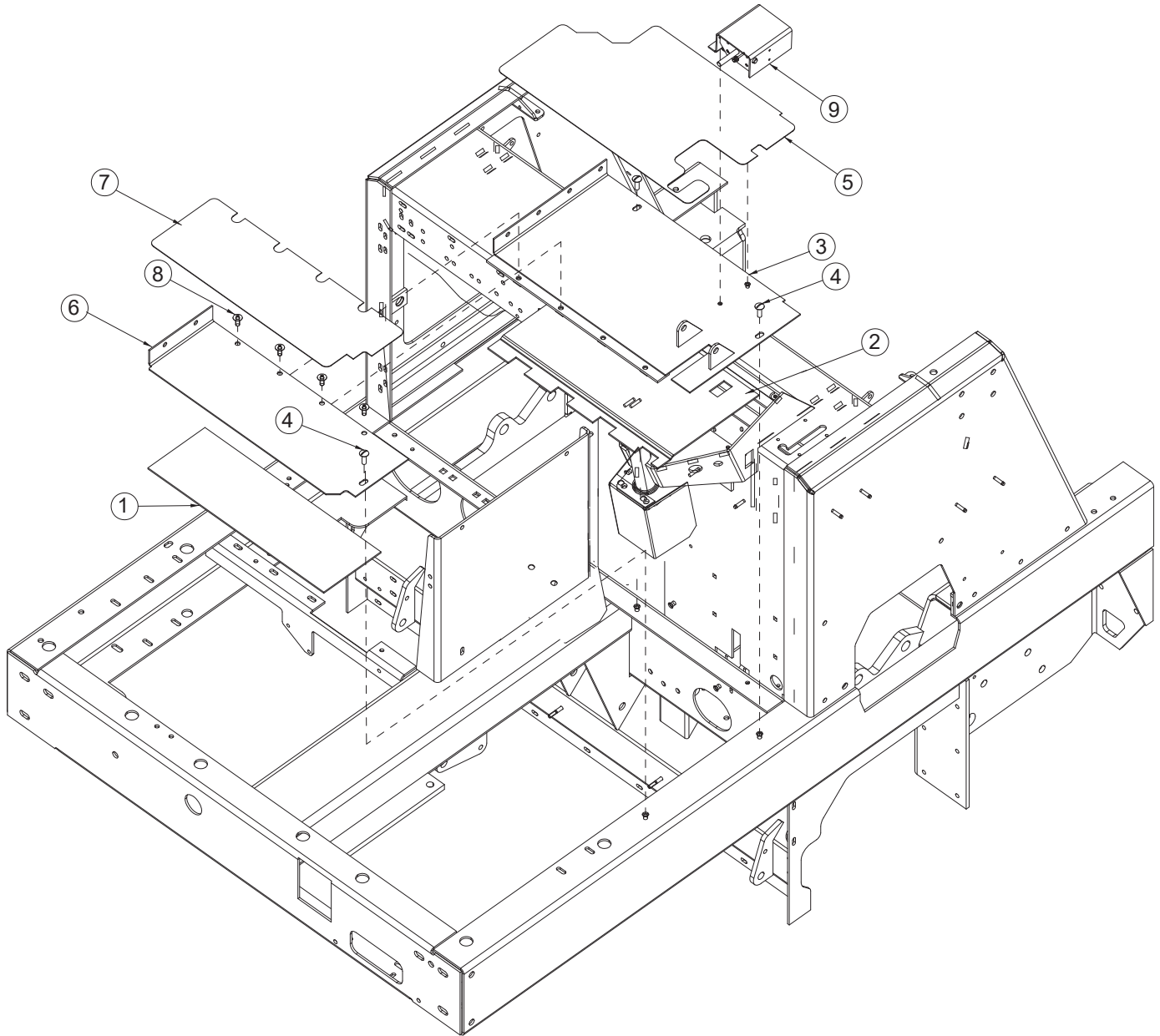
STEERING FORK ASSEMBLY			
ITEM	PART NO.	QTY	DESCRIPTION
1	3300208	1	WELD-STEERING FORK PNTD
2	3300153	1	WELD-FORK PIVOT PLT PNTD
3	3400188	1	NUT-HEX JAM 1/2-20 ES
4	3300466	1	BALL JOINT-STEERING
5	3303205	1	WELD-STEERING LINK PNTD
6	713526	5	STUD-WHEEL HUB REAR
7	3316056	1	HUB-REAR WHEEL FULL PNTD
8	3316320	1	RIM-SCRUBBER PRESS-ON 6"
9	3316321	1	TIRE-SCRUBBER PRESS-ON 6"
10	3300471	1	BEARING-TAPERED ROLCONE W/SEAL
11	3400083	1	NUT-HEX JAM 1 1/4-12 ES ZP
12	3300470	1	BEARING-TAPERED ROL CUP
13	3302122	1	KEY-HYD MOTOR 4000 SER. (SP)
14	3301533	1	MOTOR-HYD 4000 SERIES PNTD
15	3400212	1	FTG-ADAPTER 7/16-20 TO # 4
16	3301834	1	FTG-SPECIAL WHEEL MTR
17	3400169	2	FTG-SWIVEL 3/4-16 TO #8
18	3400167	1	FTG-ADAPTER 1 1/6-12 EXT TO
19	3302156	1	WELD-STEERING STOP PNTD
20	3300472	1	BRG-THRUST 5.812 ID X 7.00 OD
21	3302251	2	O-RING .924 ID X .116 W
22	3400020	4	SCR-HEX,1/2-13X2.00 ZP
23	3400098	4	WASHER-LOCK 1/2 SPLIT ZP
24	3400019	2	SCR-HEX,1/2-13X2.50 ZP
25	3400020	4	SCR-HEX,1/2-13X2.00 ZP
26	3400019	2	SCR-HEX,1/2-13X2.50 ZP
27	3400012	3	FTG-GREASE 3/16 ZERK
28	3316128	1	PAD-PRELOAD FULL
29	3400078	4	NUT-HEX 1/2-13 ES ZP
30	3316330	1	ASSY-TIRE&RIM SCRUB 6" PRESSON
31	3400224	1	NUT-HEX SLOTTED 1 1/4-18 (SP)
32	3316057	5	NUT-WHEEL LUG 9/16-18
33	3400122	1	PIN-COTTER 1/8 X 2.00 ZP
34	3400313	1	NUT-HEX 11/16-18 ZP

CONSOLE ASSEMBLY



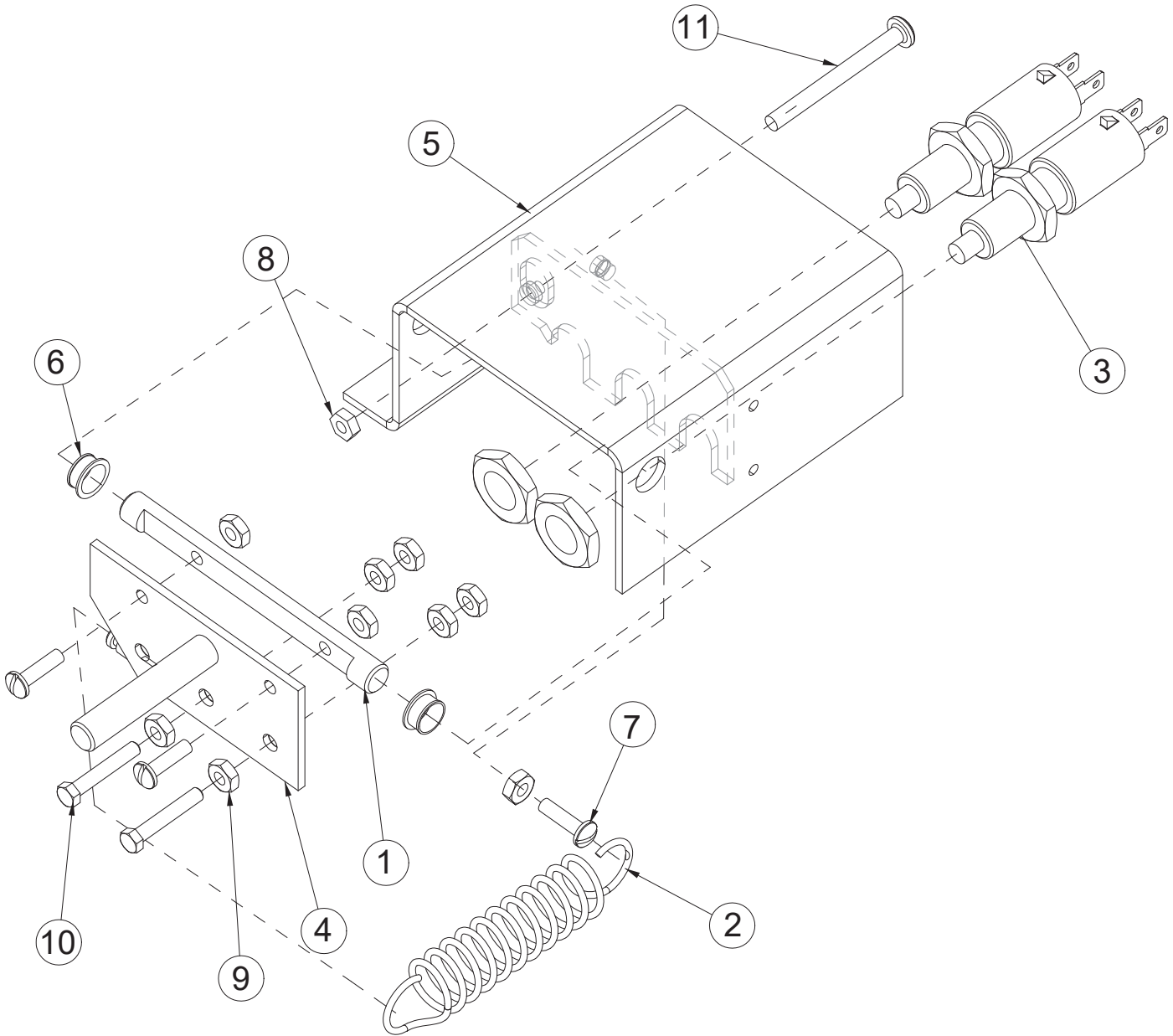
CONSOLE ASSEMBLY			
ITEM	PART NO.	QTY	DESCRIPTION
1	710197	6	SCR-MC 5/16-18 X .75
2	3300414	2	BUSHING-PLASTIC 3/8IDX1/2OD
3	3300442	1	SWITCH-ROCKER LTS/SQUP & DOWN
4	3300460	2	BALL JOINT-5/16
5	3300562	1	KNOB-BALL 1.375" DIA #95 BLACK
6	3301085	2	SPACER-FRONT BUMPER PLTD
7	3334189	1	ROD - 5/16-24 X 11.5, SSTL
8	3301427	1	CABLE-IMPELLER STOP
9	3342905	2	ASSY- INDICATOR LIGHT RED W/PACKARDTERMS
10	3302427	1	SPACER-SSB .87 LG PLTD
11	3303258	1	GAUGE-DOWNPRESSURE SC HEAD
13	3307553	1	SWITCH-ROCKER ENG. SWING ARMA
14	3309054	1	O/S WELD-LEVER SOL CONTROL
15	3315818	1	SWITCH-ROCKER, CARLING, SPDT,
16	3321107	1	DECAL-PANEL HI-CAP
17	3330020	1	PLUG-HOLE BPF 7/16
18	3335933	1	O/S PTD-CONSOLE ORANGE
19	3335984	1	ASSY-FRONT FLOOR PANEL
20	3400069	5	NUT-HEX 5/16-24 ZP
21	3400079	1	NUT-HEX 3/8-16 ES ZP
22	3400087	2	WASHER-FLAT 3/8 STANDARD ZP
23	3400102	1	WASHER-LOCK 5/16 SPLIT ZP
24	3400473	1	SCR-HEX,3/8-16X3.00 ZP F'THD
25	3500118	FT	EDGING-VINYL TRIM 1/8"
26	3500199	FT	SEAL-TRIM (SD-168) STR
27	3323529	1	PLUG (DIESEL ONLY)
28	3307608	1	CABLE THROTTLE (<i>DIESEL ONLY</i>)

FLOORBOARD ASSEMBLY



FLOORBOARD ASSEMBLY			
ITEM	PART NO.	QTY	DESCRIPTION
1	3335973	1	SHIELD-HEAT REAR FLOOR PANEL
2	3335972	1	SHIELD-HEAT FRONT FLOOR PANEL
3	3335937	1	WELD-FRONT FLOOR PANEL
4	3400056	4	SCR-TRS,5/16-18X1.00,SLT ZP
5	3335941	1	PAD-FRONT FLOOR PANEL ANTI-SLI
6	3335940	1	PLT-REAR FLOOR PANEL
7	3335942	1	PAD-REAR FLOOR PANEL ANTI-SLIP
8	710197	4	SCR-MC 5/16-18 X .75
9	3303810	1	ASSY-HYD SQ SW BOX
	3344305		ASSY-HYD SQ SW BOX (<i>CE MODELS</i>)

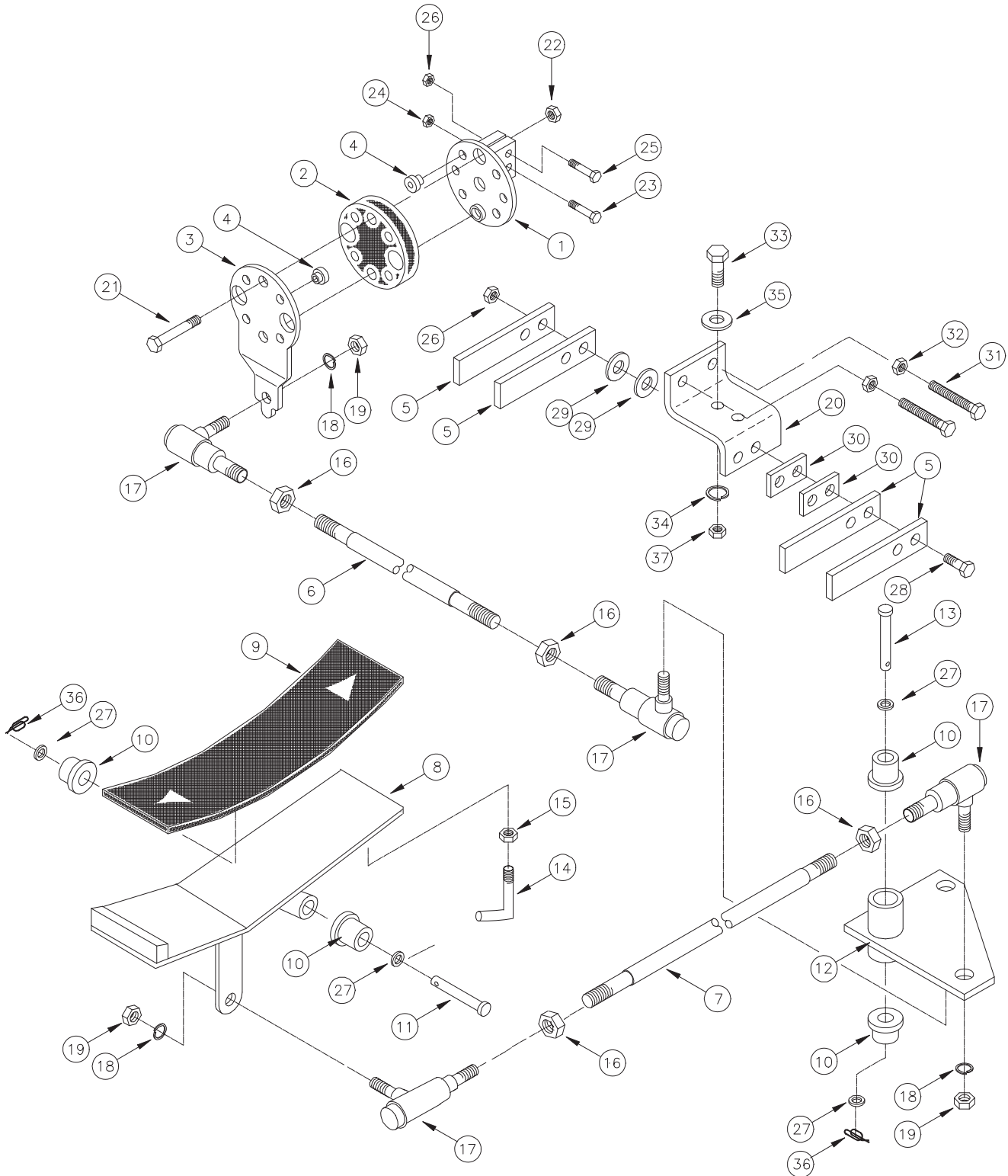
HYDRAULIC SQ SWITCH BOX ASSEMBLY



HYDRAULIC SQ SWITCH BOX ASSEMBLY - 3303810

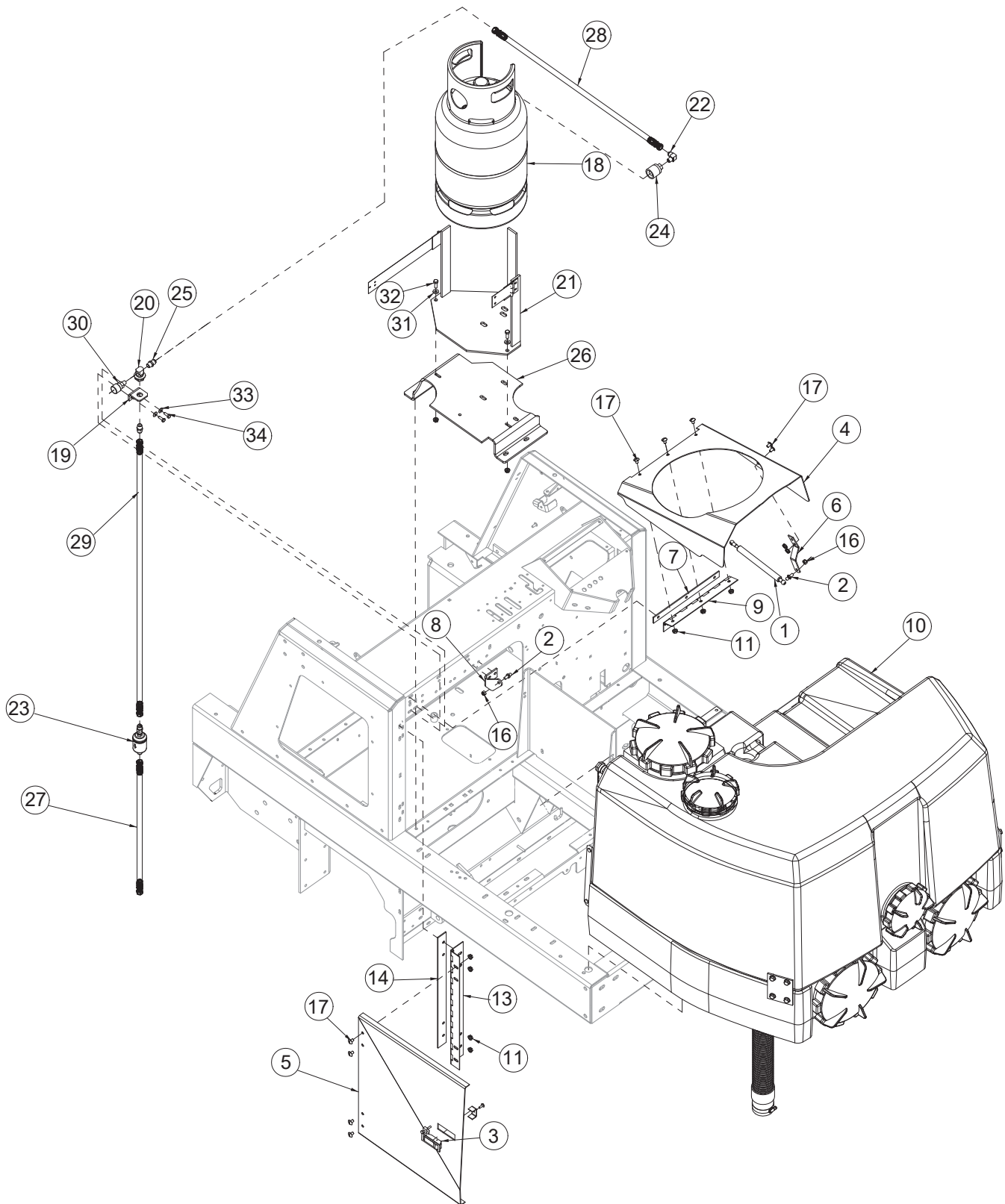
ITEM	PART NO.	QTY	DESCRIPTION
1	3303817	1	BAR-HYD SQ PLATE PIVOT PLTD
2	3304160	1	SPRING-EXTENTION, 2.00 LG
3	3302678	2	SWITCH-HYD SQUEEGEE LIFT
4	3303811	1	ASSY-HYD SQ SWITCH PLT
5	3303814	1	ASSY-HYD SQ SWITCH BOX PNT
6	3304017	2	BUSHING-THROTTLE NYLON SW 75
7	3400045	3	SCR-8-32 X 5/8 PAN HD SLT ZP
8	711310	1	NUT-HEX #10-32 ZP
9	711304	9	NUT-HEX 8-32 ZP
10	3400243	2	SCR-HEX,#08-32X1.00 ZP
11	3400346	1	SCR-PAN #10-32 X .62 PHL

DIRECTIONAL CONTROL ASSEMBLY



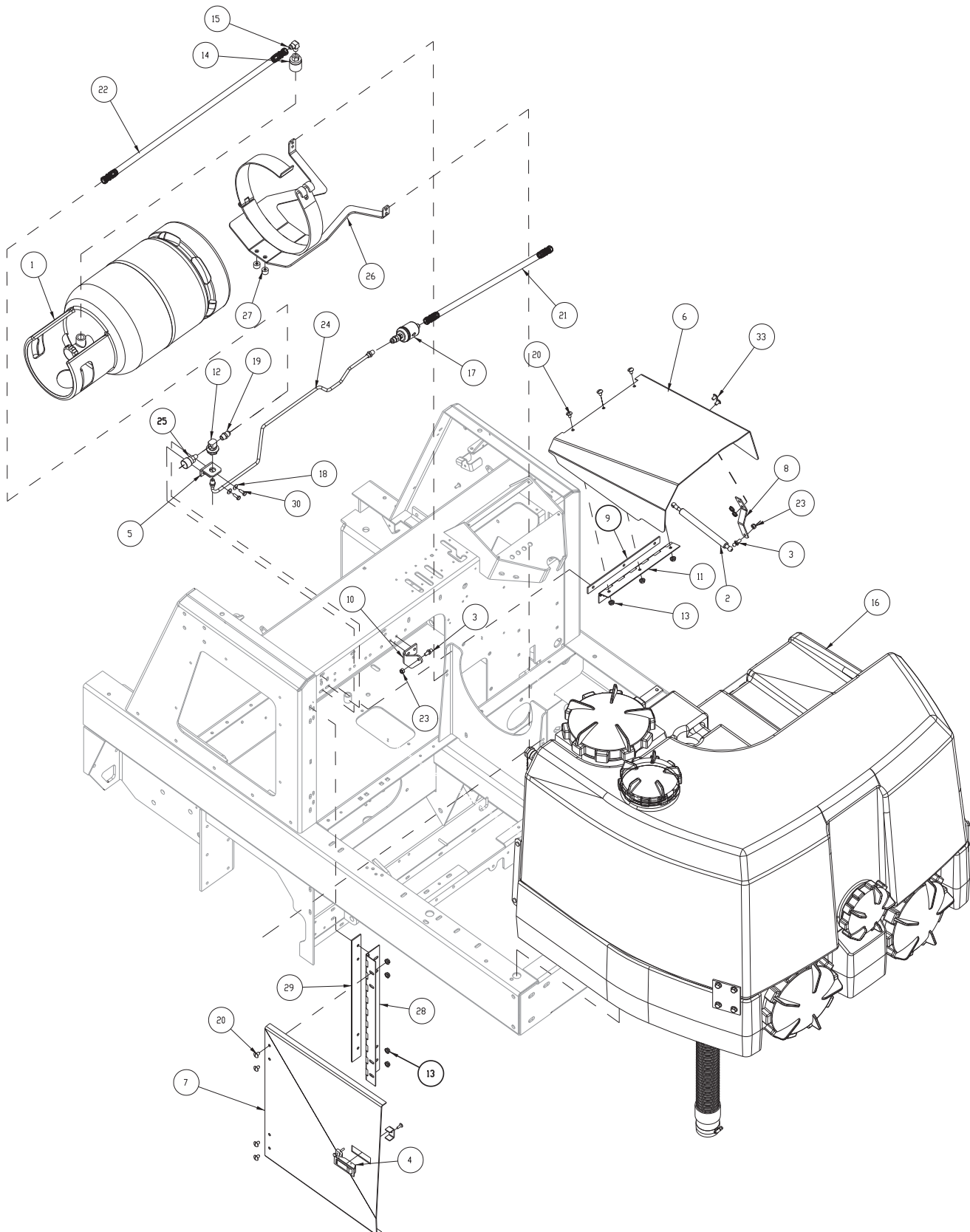
DIRECTIONAL CONTROL ASSEMBLY			
ITEM	PART NO.	QTY	DESCRIPTION
1	3301544	1	WELD-DISC FWD/REV PLTD
2	3301507	1	COUPLING-LORD DIR CNTRL
3	3336736	1	ARM-FWD/REV PLTD
4	3300526	8	BUMPER-RUBBER 1/4 ID X 1/8 THK
5	3300543	4	SPRING-RETURN
6	3336770	1	ROD-DIRECTIONAL CONTROL (GAS/LP ONLY)
7	3336772	1	ROD-DIRECTIONAL CONTROL (GAS/LP ONLY)
	3300029		ROD-DIRECTIONAL CONTROL (DSL ONLY)
8	3344032	1	WELD-PEDAL FWD/REV
9	3300544	1	PAD-FOOT PEDAL
10	3300414	4	BUSHING-PLASTIC MN BRM
11	3400115	1	PIN-CLEVIS 3/8 X 3.00 ZP
12	3305312	1	WELD-ARM INTERMED (GAS/LP ONLY)
	3300053		WELD-ARM INTERMED (DSL ONLY)
13	3400114	1	PIN-CLEVIS 3/8 X 4.00 ZP
14	3303818	1	BAR-PEDAL HYD SQ SWITCH PLTD
15	3400068	1	NUT-HEX 3/8-16 ZP
16	3400075	4	NUT-HEX JAM 3/8-24 ZP
17	3300461	4	BALL JOINT-3/8-24 W/DUST COV.
18	3400101	4	WASHER-LOCK 3/8 SPLIT ZP
19	3400067	4	NUT-HEX 3/8-24 ZP
20	3335301	1	BRKT-ADJUSTMENT FWD/REV PLTD
21	3400033	4	SCR-HEX,5/16-18X1.50 ZP
22	3400080	4	NUT-HEX 5/16-18 ES ZP
23	3400027	1	SCR-HEX,3/8-16X1.75 ZP
24	3400079	1	NUT-HEX 3/8-16 ES ZP
25	3400173	1	SCR-HEX,1/4-20X1.75 ZP
26	711373	2	NUT-HEX 1/4-20 ES ZP
27	3400087	4	WASHER-FLAT 3/8 STANDARD ZP
28	3400149	2	SCR-HEX,1/4-20X1.50 ZP
29	3400089	4	WASHER-FLAT 1/4 STANDARD ZP
30	3303918	2	SPACER-FWD/REV BRKT PLTD
31	3400228	2	SCR-HEX,5/16-24X1.5 ZP FULL TH
32	3400069	2	NUT-HEX 5/16-24 ZP
33	3400036	2	SCR-HEX,5/16-18X0.75 ZP
34	3400102	2	WASHER-LOCK 5/16 SPLIT ZP
35	3400088	1	WASHER-FLAT 5/16 STANDARD ZP
36	3400125	2	PIN-COTTER 3/8 RUE-RING
37	3400070	2	NUT, HEX 5/16-18 ZP

SOLUTION / RECOVERY TANK COMPONENTS, AND COVERS



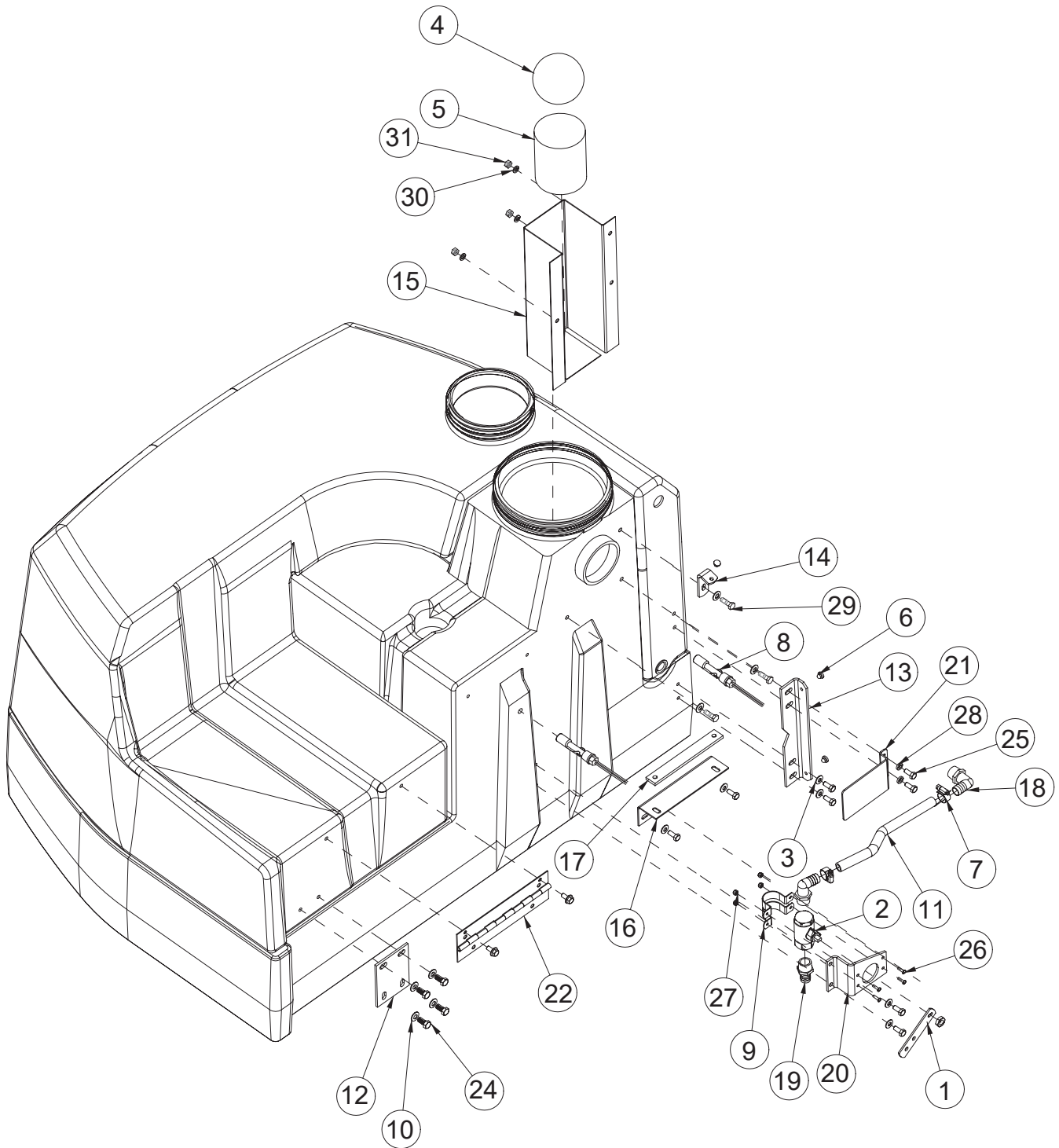
SOLUTION / RECOVERY TANK COMPONENTS, AND COVERS			
ITEM	PART NO.	QTY	DESCRIPTION
1	3300375	1	GAS SPRING-8" STROKE
2	3300376	2	STUD-BALL 10MM
3	3300380	1	LATCH ASSY.
4	3309032	1	COVER-TOP (<i>GAS/DSL MODELS</i>)
	3317918		COVER-TOP (<i>LP MODELS</i>)
5	3309033	1	DOOR-SIDE MS HC PLAS ORANGE
6	3309046	1	MNT-GAS SPRING 82
7	3309047	1	SPACER-TOP COVER HINGE MODEL 82
8	3309048	1	MOUNT-GAS STRUT TSS 82
9	3309088	1	HINGE-TOP COVER 82 PNTD
10	3334898	1	ASSY-SOL REC TANK SUB 82 ORANGE
11	3400390	11	NUT-FLANGE LOCK 5/16-18
13	3309044	1	HINGE-SIDE DOOR 82 PNTD
14	3309045	1	PLT-SPACER HINGE
16	3400080	2	NUT-HEX 5/16-18 ES ZP
17	3400148	9	SCREW TRUSS HEAD 5/16 -18 X 0.5 SLT ZP
LP MODEL PARTS ONLY			
18	***	1	PROPANE TANK
19	3307934	1	MNT-LPG SAFETY VALVE PNTD
20	3316511	1	BULKHEAD-62 LP
21	3329822	1	WELDMENT-LP VERT MS,FS MNT
22	3334037	2	FTG - MALE ELBOW 49 - 6
23	3336584	1	FILTER - LPG FUEL
24	3400860	1	FTG-LP TANK CONNECT
25	3342097	2	FTG-SAE 5/8-18 45 DEG FLARE
26	3337857	1	PLT-BASE, FUEL TANK, TSS82/9
27	3343734	1	HOSE-3/8 AR 24.0 JIC 45 ST#6
28	3343735	1	HOSE-3/8 AR 30.5 JIC 45 ST#6
29	3343736	1	HOSE-3/8 AR 50.0 JIC 45 ST#6
30	3400862	1	VALVE-LP RELIEF VPN 3127L
31	3400384	2	WASHER CONICAL SPRING 5/16
32	3400035	2	SCR-HEX 5/16-18X1.00 ZP
33	3400383	2	WASHER CONICAL SPRING 1/4
34	713002	2	SCR-HEX 1/4-20X.75 ZP

LP CE SOLUTION / RECOVERY TANK COMPONENTS, AND COVERS



LP CE SOLUTION / RECOVERY TANK COMPONENTS, AND COVERS			
ITEM	PART NO.	QTY	DESCRIPTION
1	***	1	PROPANE TANK, EUROPE (HORIZONTAL MOUNTING)
2	3300375	1	GAS SPRING-8" STROKE
3	3300376	2	STUD-BALL 10MM
4	3300380	1	LATCH ASSY.
5	3307934	1	MNT-LPG SAFETY VALVE PNTD
6	3309032	1	COVER-TOP HORIZONTAL LP, GAS, & DIESEL ORANGE
7	3309033	1	DOOR-SIDE MS HC PLAS ORANGE
8	3309046	1	MNT-GAS SPRING 82
9	3309047	1	SPACER-TOP COVER HINGE MODEL 82
10	3309048	1	MOUNT-GAS STRUT TSS 82
11	3309088	1	HINGE-TOP COVER 82 PNTD
12	3316511	1	BULKHEAD-62 LP
13	3400390	11	NUT-FLANGE LOCK 5/16-18
14	3400860	1	FTG-LP TANK CONNECT
15	3334037	2	FTG - MALE ELBOW 49 - 6
16	3334898	1	ASSY-SOL REC TANK SUB 82 ORANGE
17	3336584	1	FILTER - LPG FUEL
18	3400383	2	WASHER CONICAL SPRING 1/4
19	3342097	1	FTG-SAE 5/8-18 45 DEG FLARE
20	3400148	9	SCREW TRUSS HEAD 5/16 -18 X 0.5 SLT ZP
21	3343734	1	HOSE-3/8 AR 24.0 JIC 45 ST#6
22	3343735	1	HOSE-3/8 AR 30.5 JIC 45 ST#6
23	3400080	2	NUT-HEX 5/16-18 ES ZP
24	3344260	1	ASSY-FUEL LINE TUBE 8MM X 1M (FOR CE MODELS ONLY)
25	3400862	1	VALVE-LP RELIEF VPN 3127L
26	3344328	1	WELDMENT-STRAP BOTTLE MNT
27	3344331	2	ISOLATOR-CYL 3/4" X 1/2" FEMALE 1/4-20
28	3344372	1	HINGE-CONT 1" KNUCKLE 20.62" LG (FOR CE MODELS ONLY)
29	3344373	1	PLT-SPACER HINGE
30	3400042	2	SCR-HEX 1/4-20X.75 ZP

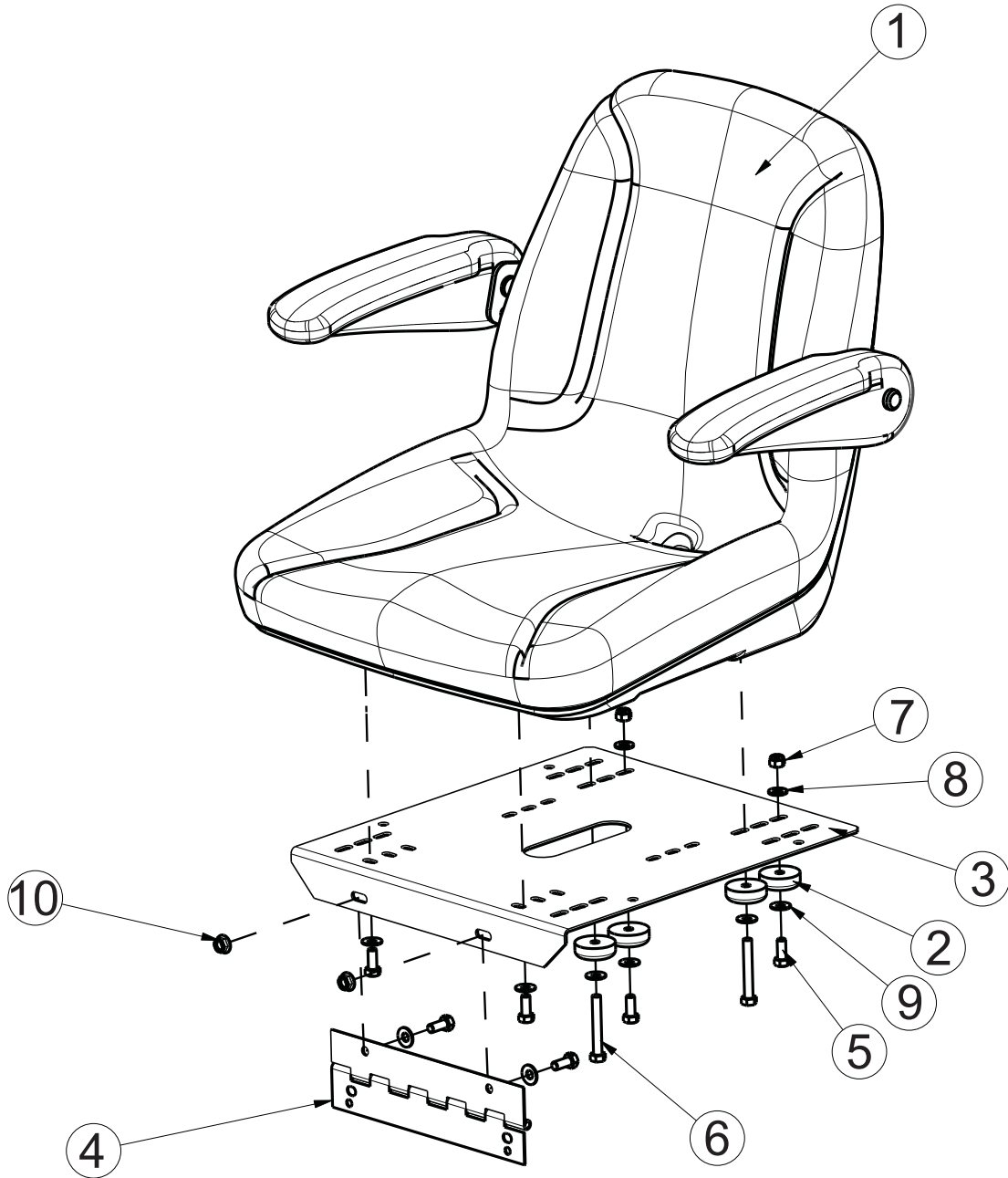
SOLUTION / RECOVERY TANK ASSEMBLY PART 1



SOLUTION / RECOVERY TANK ASSEMBLY PART 1			
ITEM	PART NO.	QTY	DESCRIPTION
1	3300027	1	ARM-SOLUTION VALVE PLTD
2	3300330	1	VALVE-TWO WAY BALL SOLUTION
3	3400384	8	WASHER CONICAL SPRING 5/16
4	3300452	1	BALL-PLASTIC
5	3300458	1	FLOAT-TANK MACHINE
6	3300526	3	BUMPER - 1/4 ID X 1/8 THK
7	3302144	2	CLAMP-HOSE 1/2
8	3302737	2	SWITCH-FLOAT LS7 POLYPROPYLENE
9	3302951	2	CLAMP-TUBE 1.5 DIA.
10	3400385	7	WASHER CONICAL SPRING 3/8
11	3500131	1	TUBE-PVC 3/4 ID X 1/8 WA-CLEAR
12	3309024	1	PLT-RETAINER SOL-REC TANK PNTD
13	3309026	1	PLATE-STOP SIDE DOOR 82 HC
14	3309035	1	BRACKET-TOP COVER STOP-82
15	3309038	1	CAGE-BALL FLOAT 82
16	3309042	1	ANGLE-CONSOLE TO TANK MNT
17	3309043	1	SPACER-TANK CONSOLE MNT
18	3309051	2	FTG-3/4 90 DEG HOSE BARB
19	3309073	1	FTG-3/4 MPT X 3/4 HB
20	3309076	11	MOUNT-SOLUTION VALVE
	3344426		MOUNT-SOLUTION VALVE (<i>CE MODELS</i>)
21	3317688	1	GUARD-SWITCH VERT LP (<i>LP MODELS</i>)
22	3335033	1	HINGE-UNIVERSAL SEAT MNT
24	711241	4	SCR-HEX 3/8-16X.75 ZP
25	711228	10	BOLT-HH 5/16-18X3/4
26	3400045	4	SCR-8-32 X 5/8 PAN HD SLT ZP
27	3400082	4	NUT-HEX #8-32 ES ZP
28	3400102	2	WSR-LOCK 5/16, ZP
29	3400318	3	BLT-HH 5/16-18 X 1.0 SS
30	712140	3	WASHER-LOCK 5/16 SPLIT SS
31	712680	3	NUT-HEX 5/16-18 SS

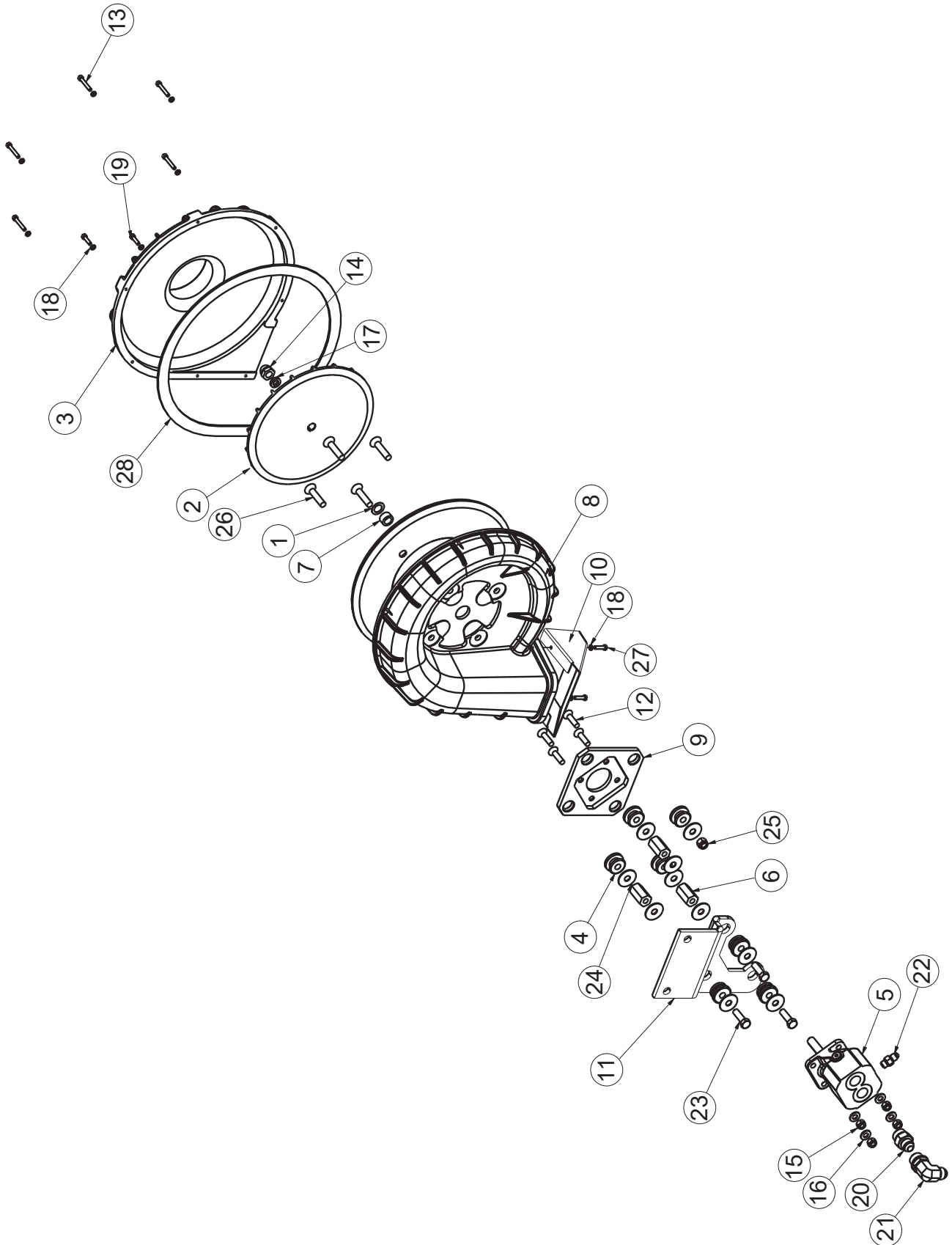
SOLUTION / RECOVERY TANK ASSEMBLY PART 2			
ITEM	PART NO.	QTY	DESCRIPTION
1	3300336	1	CLAMP-HOSE 2.5 SS
2	3300405	1	GASKET-SUCTION TUBE
3	3300451	1	PLUG-ADJ DRAIN HOSE
4	3302480	1	SUB-DRAIN HOSE ASSY
5	3309001HK	1	TANK-SOLUTION, PLASTIC ORANGE
6	3309002HK	1	TANK-RECOVERY, PLASTIC ORANGE
7	3309006	2	CAP-TANK 6" DIA BLACK
8	3309009	1	CAP-TANK 9" DIA, BLACK
9	3309024	2	PLT-RETAINER SOL-REC TANK PNTD
10	3309040	1	FTG-ADAP WATER HOSE
11	3309060	1	FTG-PLUG NYLON 3/4 MP
12	3309066	1	VALVE-FLOAT SHUTOFF
13	3309067	1	FLOAT-SHUTOFF
14	3309070	2	GASKET - 6" PLASTIC CAP
15	3309072	1	STEM-FLOAT
16	3309098	3	PLATE-BACKING 9" CAP
17	3309099	2	PLATE-BACKING FOR 6" CAP
18	3315258	3	GASKET - 9" PLASTIC CAP
19	3317926	1	SUCTION TUBE-PLAS TANK MS
20	3319319	1	CHAIN-TANK PLUG
21	713041	8	SCR-HH 3/8-16 X .75 ZP GR 5
22	711228	4	BOLT-HH 5/16-18X3/4
23	3400045	1	SCR-8-32 X 5/8 PAN HD SLT ZP
24	712665	2	NUT-HEX 1/4-20 ZP
25	3400384	4	WASHER CONICAL SPRING 5/16
26	3400385	8	WASHER CONICAL SPRING 3/8
27	3336811	2	ASSY- CAP, SOL / REC, 9"

SEAT ASSEMBLY



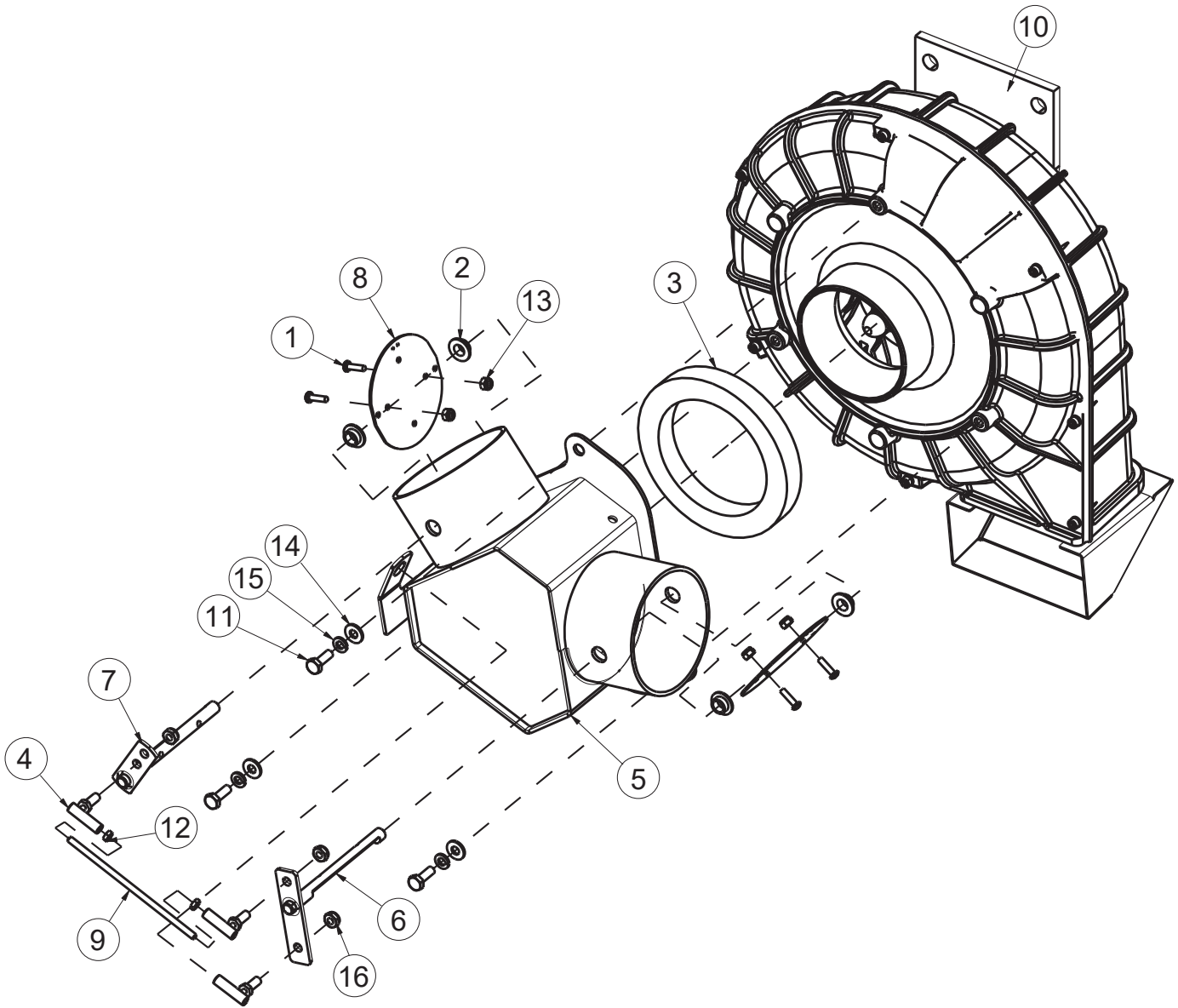
SEAT ASSEMBLY			
ITEM	PART NO.	QTY	DESCRIPTION
1	620219	1	SEAT STD W SEAT BELT RECEIVERS
2	3302482	4	BUMPER-RUBBER, 1.5" DIA, 5/8 THK
3	3309027	1	MNT-SEAT UNIVERSAL 82 PNTD
4	3335033	1	HINGE-UNIVERSAL SEAT MNT
5	711241	6	SCR-HH 3/8-16 X .75 ZP GR 5
6	711228	2	SCR-HH 5/16-18 X .75 ZP GR 5
7	3401098	2	NUT-JAM 5/16-18 ZP NYLOC
8	3400088	2	WASHER-FLAT 5/16 X.688 X .065 ZP
9	3400384	8	WASHER-CONICAL SPRING 5/16
10	3400390	2	NUT-FLANGE WIZZ 5/16-18 ZP

IMPELLER ASSEMBLY



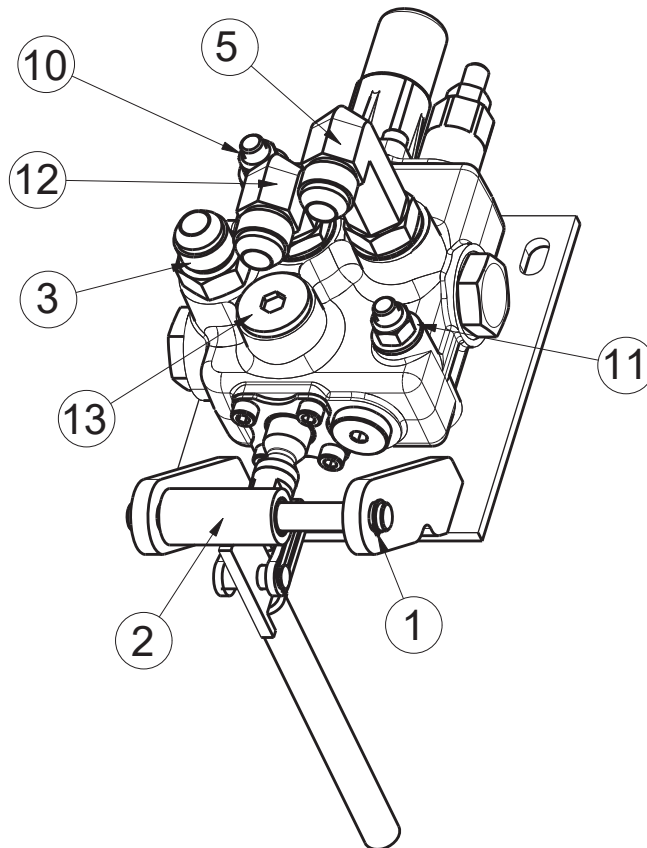
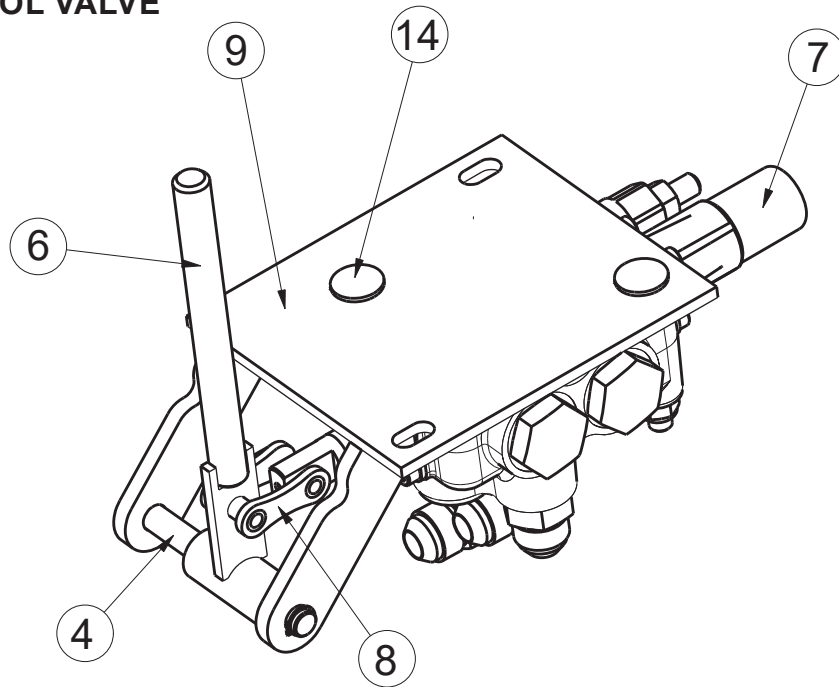
IMPELLER ASSEMBLY - 3344764			
ITEM	PART NO.	QTY	DESCRIPTION
1	711594	1	WASHER-FLAT .56 X .88 X .03 NICKEL
2	3300133	1	IMPELLER, BALANCED 82/90
3	3300139	1	SHROUD-OUTER CASTING & MACHINE
4	3300465	7	ISOLATOR-RUBBER (.375IDX.81OD)
5	3306738	1	MOTOR-HYD IMPELLER SCRUBBER
6	3306826	3	STAND/OFF-3/8-24 X 1.38 PNTD
7	3306827	1	SPACER-HYDRAULIC IMPELLER
8	3306841	1	SHROUD INNER WD HYD IMP
9	3307152	1	IMP MOTOR MNT
10	3344236	1	DEFLECTOR-IMPELLER
11	3344763	1	MOUNT-IMPELLER VERTICAL
12	3400016	4	SCR-FHSCS 5/16-18 X 1.25 ZP
13	3400050	5	SCR-SHCS 10-24 X 1.25 ZP
14	3400062	1	NUT-ACORN 1/2-20 NICKEL PLATED
15	711374	4	NUT-NYLOC 5/16-18 ZP
16	3400088	4	WASHER-FLAT 5/16 X.688 X .065 ZP
17	3400098	1	WASHER-LOCK 1/2 SPLIT ZP
18	711543	9	WASHER-LOCK #10 SPLIT ZP
19	3400147	2	SCR-SHCS,HEX DRIVE #10-24X0.75 ZP
20	3400689	1	FTG-ST THD CON S-L ORFS
21	675528	1	FTG-STR THD ELBOW -8 ORFS TO -10 SAE
22	675508	1	FTG-STR THD CONNECTOR -4 ORFS TO -4 SA
23	3400262	3	SCR-HH 3/8-24 X 1.25 ZP GR 5 FULL THREAD
24	3400278	10	WASHER-FENDER 3/8 X 1.25 ZP
25	3400342	1	NUT-NYLOC 3/8-24 ZP
26	3400381	4	SCR-FLT,3/8-24X1.75,SOC ZP CS
27	3400448	2	SCR-HEX,#10-24XO.75 18-8 SS
28	3500246	1	GASKET-OPEN CELL, 1/8X3/4

IMPELLER MOUNTING ASSEMBLY



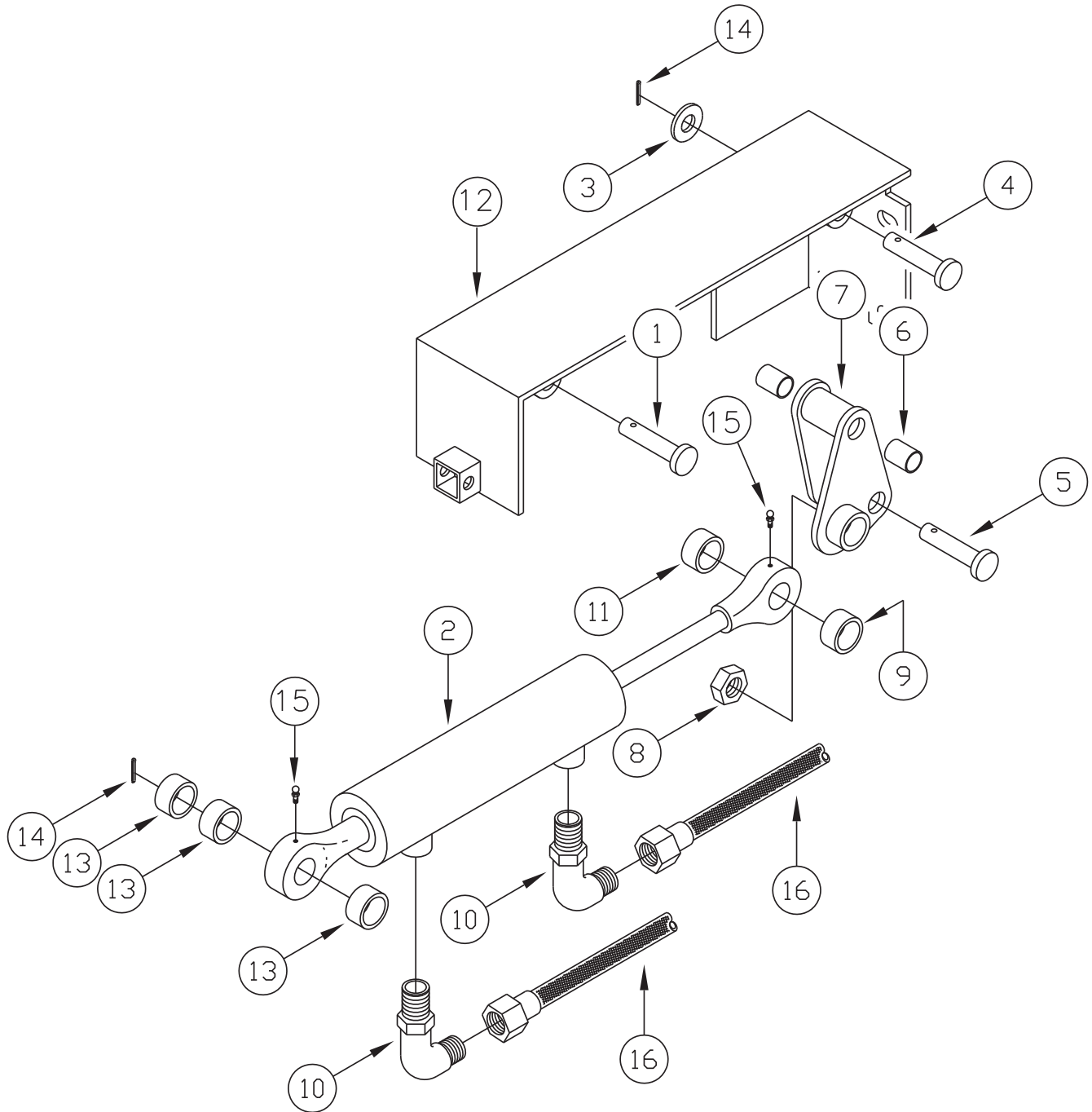
IMPELLER MOUNTING ASSEMBLY - 3344765			
ITEM	PART NO.	QTY	DESCRIPTION
1	710230	4	SCR-PHMS 8-32 X .62 ZP
2	3300414	4	BUSHING-PLASTIC 3/8IDX1/2OD
3	3301383	1	GASKET-IMPELLER MANIFOLD
4	3301459	3	BALL JOINT-10-32 STUD X 1 ZP
5	3336791	1	WELDMENT-IMPELLER MANIFOLD
6	3336795	1	WELDMENT-SHUTOFF ROD, IMP, DUST
7	3336796	1	WELDMENT-SHUTOFF ROD, IMP, SQ
8	3301498	2	DAMPER-HOPPER SHUTOFF PLTD
9	3344422	1	ROD-THRD 10-32 X 5.00 LG
10	3344764	1	ASSY-IMPELLER VERTICAL CS
11	713002	3	SCR-HH 1/4-20 X .75 ZP 5
12	711310	2	NUT-HEX 10-32 ZP
13	3400082	4	NUT-NYLOC 8-32 ZP
14	3400089	3	WASHER-FLAT 1/4 ZP
15	3400103	3	WASHER-LOCK 1/4 SPLIT ZP
16	3400373	3	NUT-JAM 1/4-28 ZP NYLOC

IMPELLER CONTROL VALVE



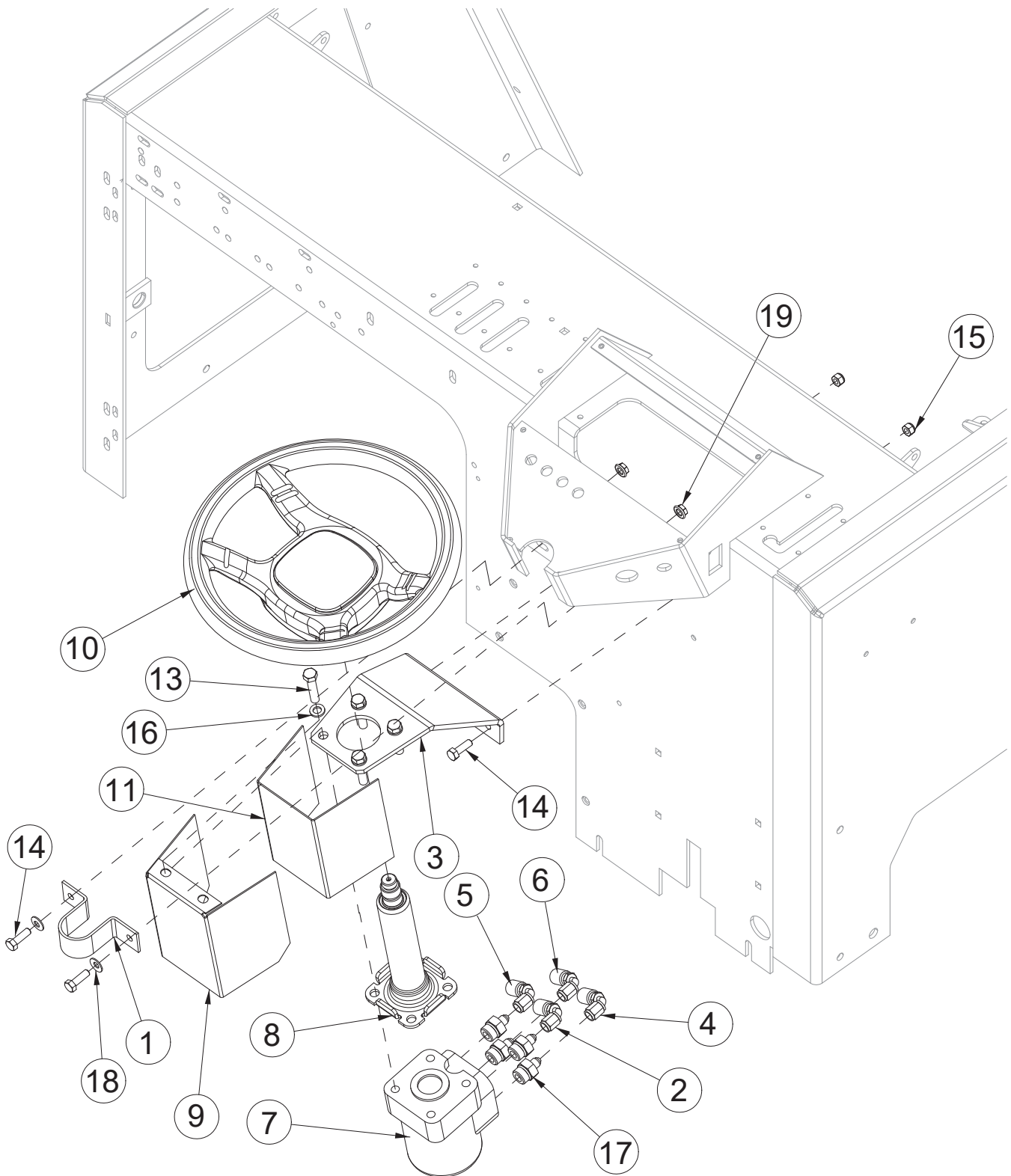
IMPELLER CONTROL VALVE - 3344572			
ITEM	PART NO.	QTY	DESCRIPTION
1	3300548	2	RET RING-EXT .38
2	3303996	2	BEARING-PLASTIC 1/2X3/8X.75 LG
3	675524	1	FTG-STR THD CONNECTOR -8 ORFS TO -8 SA
4	3317236	1	ROD-PIVOT VALVE BODY HYD PLTD
5	675523	1	FTG-STR THD ELBOW -8 ORFS TO -8 SAE
6	3344411	1	WDT-HANDLE CENTER
7	3344569	1	VALVE-SINGLE SPOOL
8	3344573	1	ASSY-CONNECTING LINK SET
9	3344643	1	WDT-VALVE BODY MNT
10	711374	2	NUT-NYLOC 5/16-18 ZP
11	3400088	2	WASHER-FLAT 5/16 X.688 X .065 ZP
12	675526	1	FTG-SWIVEL NUT RUN TEE -8 ORFS TO -8 FEM
13	3400164	1	FTG-PLUG 3/4-16 O RING
14	3401684	2	SCR-CAR 5/16-18 X 2.5 ZP

POWER STEERING ASSEMBLY



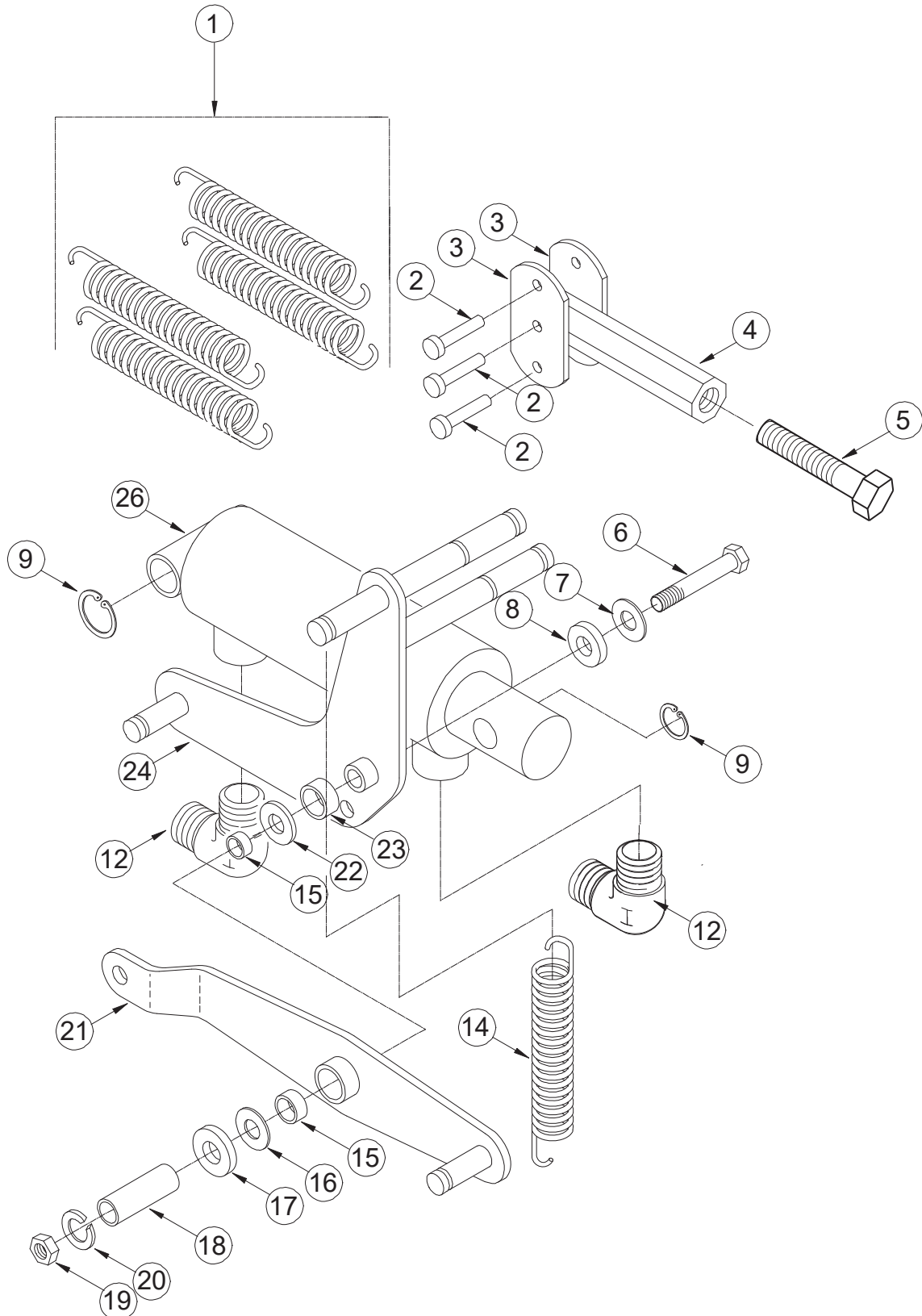
POWER STEERING ASSEMBLY- 3309489			
ITEM	PART NO.	QTY	DESCRIPTION
1	3400439	1	PIN—CLEVIS 3/4 DIA X 2.0 LONG
2	3307311	1	CYLINDER-STEERING ARMA & POWER
3	3301416	1	SPACER-LIFT CYL CLEVIS PLTD
4	3400437	1	PIN-CLEVIS 1" DIA X 4.50 LONG
5	3400438	1	PIN-CLEVIS 3/4" DIA X 3.50 LG
6	3300552	2	BEARING-1 ID X 1.124 OD X 1.5
7	3306937	1	WELD-IDLER ARM PWR STG
8	3400188	1	NUT-HEX JAM 1/2-20 ES
9	3306921	1	SPACER-P.S. CYL FRT THK PLTD
10	675568	2	FTG-STR THD ELBOW
11	3306922	1	SPACER-P.S. CYL FRT THIN PLTD
12	3316768	1	WELD-CYL/ACT MNT
13	3311012	3	WASHER-HD SPACER SEC LIFT ARM
14	3400120	3	PIN-COTTER 5/32 X 2.00 ZP
15	3400012	2	FTG -GREASE 3/16
16	3336016	2	HOSE-1/4 AR 56 ST#5 90?S#4

STEERING COLUMN



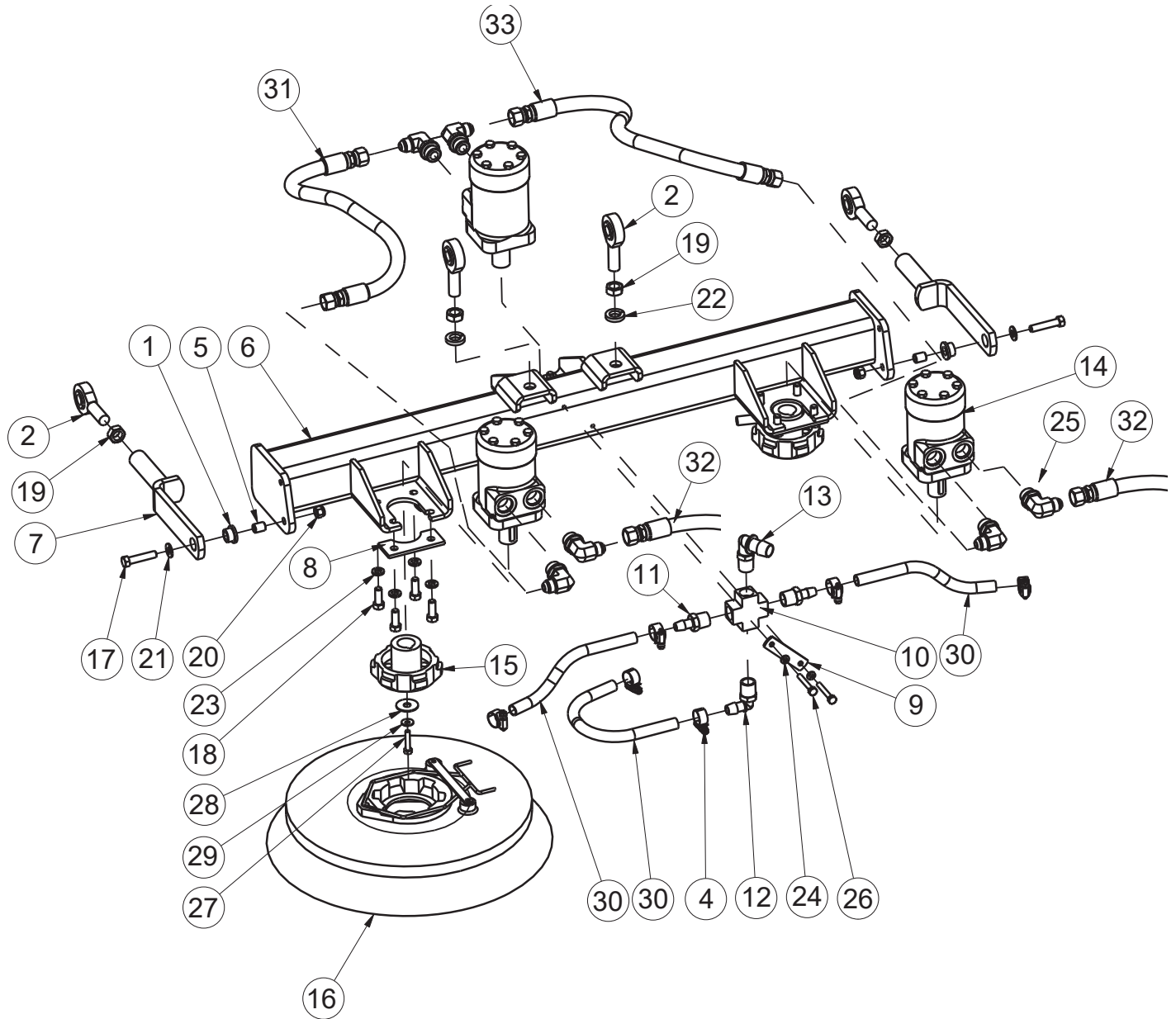
STEERING COLUMN			
ITEM	PART NO.	QTY	DESCRIPTION
1	3300228	1	BRACKET-STEERING
2	675716	1	HOSE-POWER STEERING T TO RESERVOIR
	3344387	1	HOSE-HYD 3000 PSI 1/4"ID X 75.75" LNG (CE MODELS)
3	3306914	1	PLT-MOUNT, PWR STEERING MTR
4	675714	1	HOSE-FLOW DIVIDER TO POWER STEERING P
	3344389	1	HOSE-HYD 3000 PSI 1/4"ID X 94.75" LNG (CE MODELS)
5	675718	2	HOSE-POWER STEERING TO STEERING CYLINDER
6	675717		HOSE-POWER STEERING TO STEERING CYLINDER
7	3316899	1	PWR STRG UNIT
8	3316900	1	STEERING COLUMN - PWR STRNG
9	3317654	1	PLT-COVER, PWR STEERING PUMP
10	3318220	1	STEERING WHEEL - W/COVER SW/9X
11	3343946	1	REFLECTOR, HEAT - STRG PUMP COVER
13	3400027	4	SCREW-HHM 3/8-16 X 1.75 LG ZP
14	3400035	4	SCR-HEX 5/16-18X1.00 ZP
15	711374	2	NUT-NYLOC 5/16-18 ZP
16	3400101	4	WASHER-LOCK 3/8 SPLIT ZP
17	3400150	4	FTG-ADAPTER STRAIGHT 4MJIC X 8 MORB
18	3400384	2	WASHER CONICAL SPRING 5/16
19	3400390	2	NUT-FLANGE LOCK 5/16-18

SQUEEGEE LIFT / LOWER ASSEMBLY



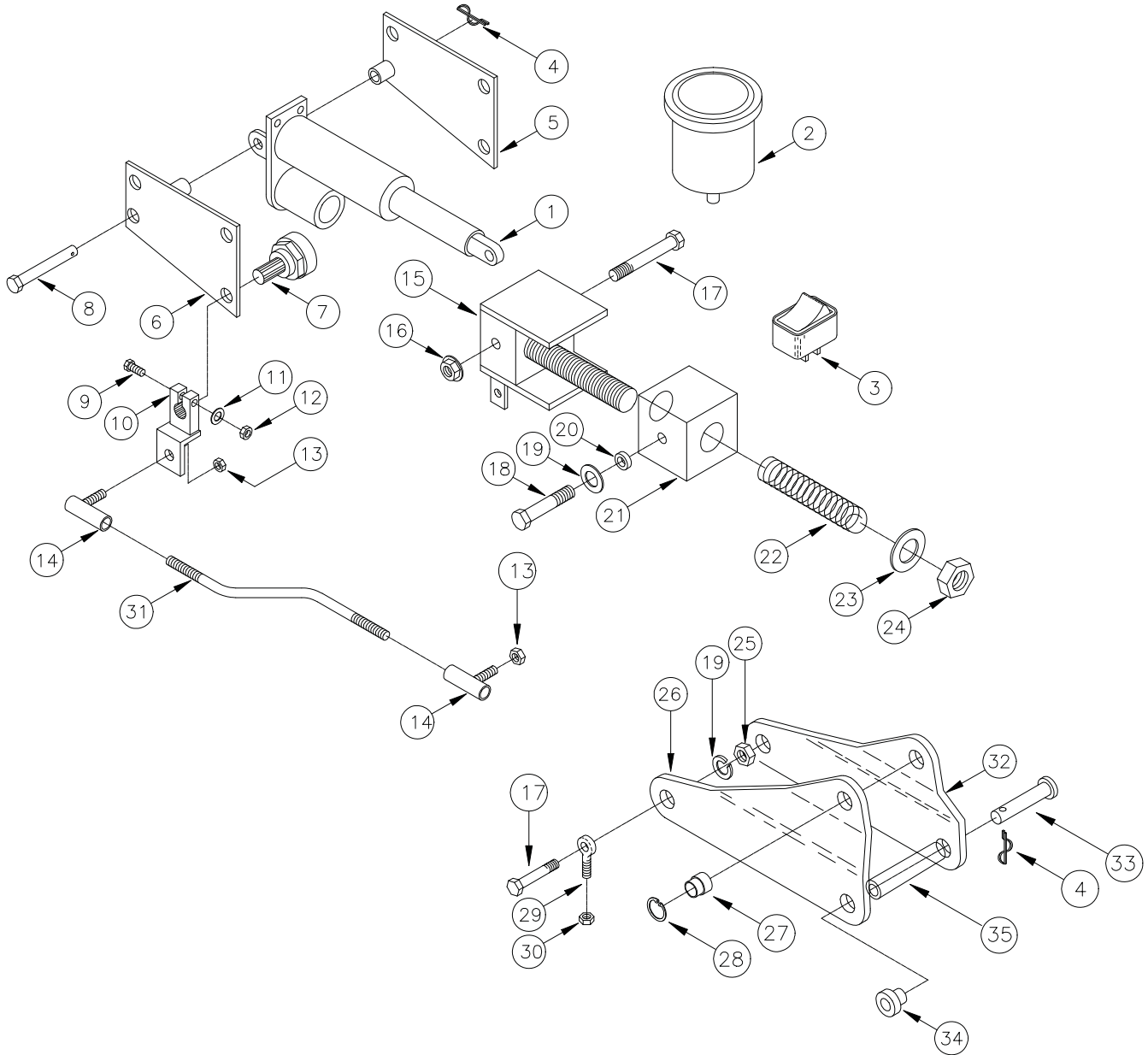
SQUEEGEE LIFT / LOWER ASSEMBLY			
ITEM	PART NO.	QTY	DESCRIPTION
1	3333420	4	SPRING-SQUEEGEE RETURN
2	3400185	3	PIN-CLEVIS 5/16 X 1-1/4 ZP
3	3333416	2	WELD-SPRING PIVOT
4	3300202	1	BAR-CABLE ADJ MACH & PLTD
5	3400228	1	SCR-HEX, 5/16-24X1.5 FULL THRD, GR 5 ZP
6	3400370	1	SCR-HEX, 5/8-11X5.50 ZP
7	3400094	2	WASHER-FLAT 5/8 ZP
8	3303946	2	BRG-THRUST .781 ID W/A
9	3302207	2	RING-RET EXT .50
12	675510	2	FTG-STR THD CONNECTOR -5 ORFS TO -4 SA
14	3302599	1	SPRING-EXT LOOPS-IN-LINE ZP
15	3303945	2	BEARING-FIBERGLIDE HYD.SQ.LIFT
16	3303948	2	BRG-THRUST .781 ID X 1.50 OD
17	3303937	1	WASHER-RETAINER HYD SQ PLTD
18	3303935	1	BUSHING-SLEEVE HYD SQ LIFT
19	3400192	1	NUT-HEX JAM 5/8-11 ZP
20	712315	1	WASHER-LOCK 5/8 SPLIT ZP
21	3303943	1	WELD-HYD SQ LIFT ARM PNTD
22	3303947	2	BRG-THRUST 1.406 ID X 2.50 OD
23	3303944	1	BEARING-FIBERGLIDE HYD.SQ.LIFT
24	3303940	1	WELD-PIVOT ARM HYD SQ PNTD
26	3300141	1	CYLINDER-1.5 BORE X 2.0 STR

SCRUB HEAD ASSEMBLY



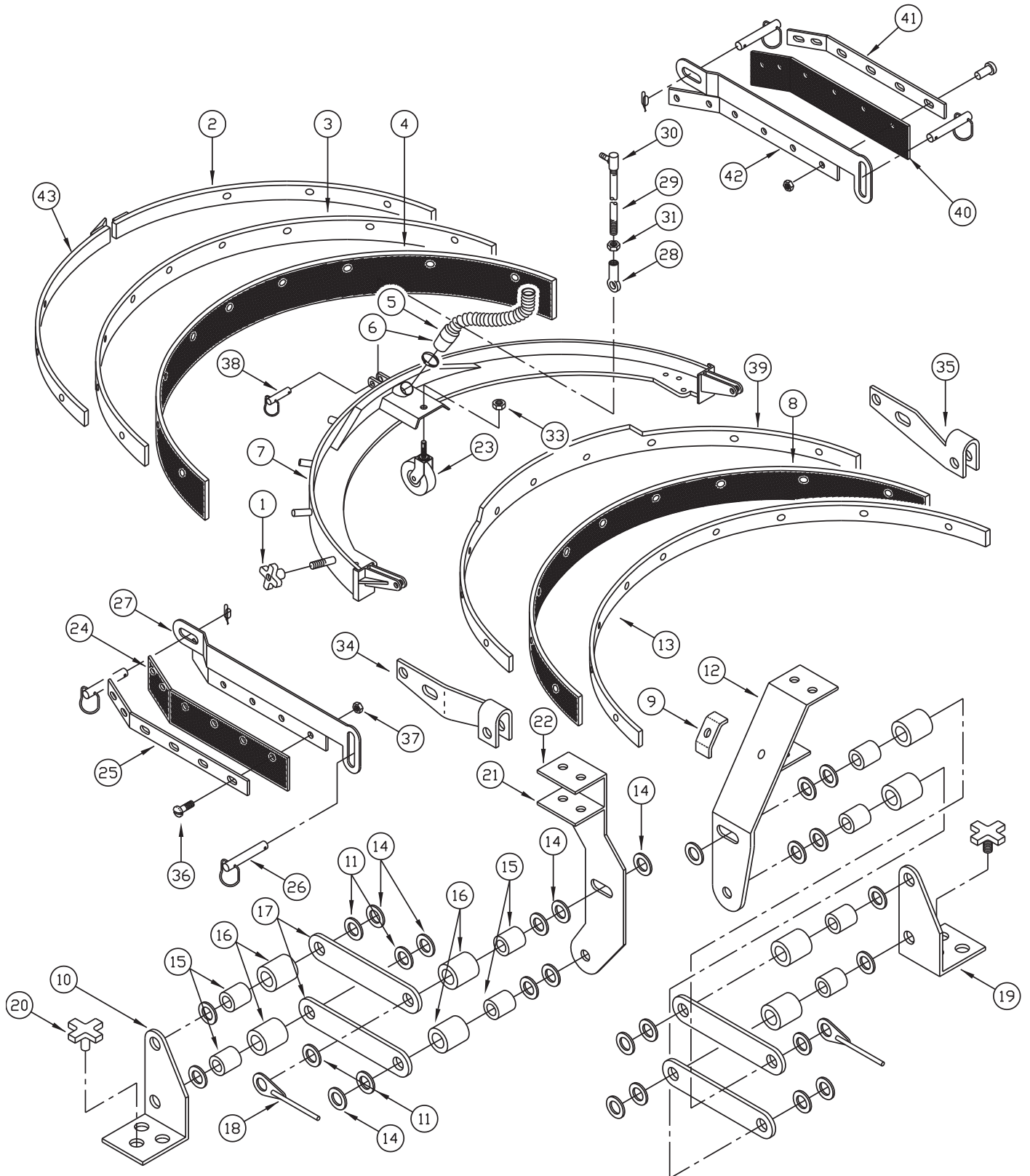
SCRUB HEAD ASSEMBLY			
ITEM	PART NO.	QTY	DESCRIPTION
1	3300432	4	BUSHING-FL-52-4
2	3300457	4	ROD END-5/8 MALE
4	3302144	2	CLAMP-HOSE 1/2 NOM
5	3300339	2	SLEEVE-SQ & FWD/REV
6	3303459	2	WELD-SCRUB HD ELEC
7	3303493	2	WELD-LIFT ARM HD
8	3308759	3	PLATE-MOTOR MOUNT
9	3313130	1	BAR-RETAINER FTG
10	3313188	1	FTG-CROSS 1/2 FPT BRASS
11	3315534	2	FTG-1/2 ID TUBE X 1/2 MPT
12	3315535	2	FTG-90 DEG 1/2 ID X 1/2 MALE N
13	3315536	1	FTG-90 DEG 3/4 ID X 1/2 MPT
14	3316895	3	MOTOR-HYD SCRUB HEAD MS/FS
15	3324451	3	DRIVER-SCRUB BRUSH
16	3332544	3	BRUSH MID GRIT (SEE BRUSH GUIDE ON PAGE 132)
17	3400027	2	SCR-HEX,3/8-16X1.75 ZP
18	3400030	2	SCR-HEX,3/8-16X1.00 ZP
19	3400074	12	NUT-HEX JAM 5/8-18 ZP
20	711380	4	NUT-HEX 3/8-16 ES ZP
21	3400087	2	WASHER-FLAT 3/8 STANDARD ZP
22	712315	2	WASHER-LOCK 5/8 SPLIT ZP
23	3400101	2	WASHER-LOCK 3/8 SPLIT ZP
24	3400103	12	WASHER-LOCK 1/4 SPLIT ZP
25	675528	6	FTG-STR THD ELBOW -8 ORFS TO -10 SAE
26	3400173	6	SCR-HEX,1/4-20X1.75 ZP
27	3400227	3	SCR-HEX,1/4-20X1.25 ZP
28	3400278	3	WASHER-FENDER 3/8 ZP
29	3400383	3	WASHER-CONICAL SPRING 1/4
30	3321350	3	HOSE-5/8 OD X 1/2 ID X 9" LONG
31	675724	1	HOSE-THREE SPOOL CONTROL VALVE B1 TEE TO
32	675725	2	HOSE-OPTIONAL BRUSH WATER SHUTOFF TEE TO
33	675727	1	HOSE-SCRUB HEAD MOTOR 3 TO MAIN BROOM MO
*	3500131	FT	CLEAR SOL. DELIVERY HOSE (NOT SHOWN)

SCRUB HEAD LIFT / LOWER MECHANISM



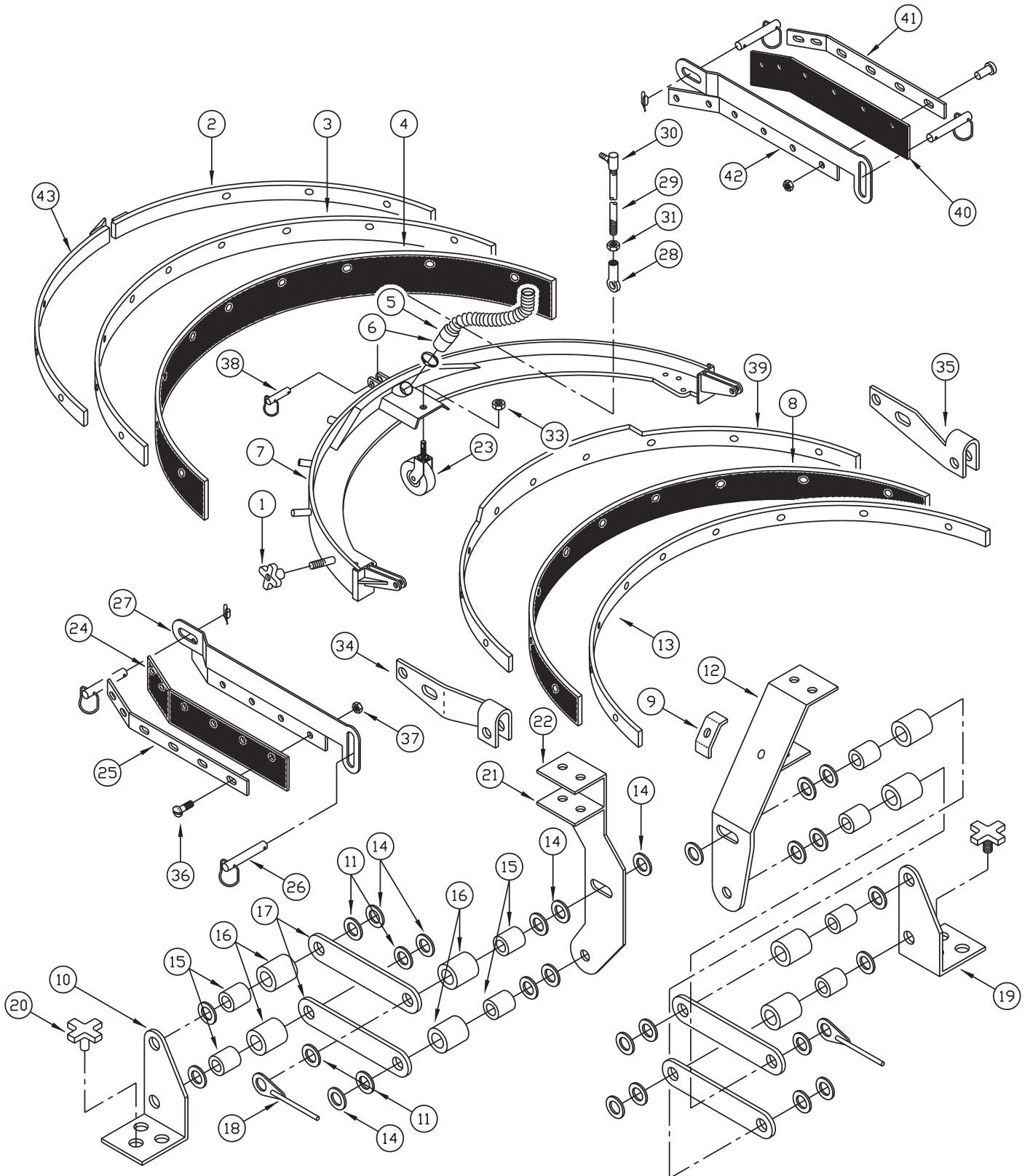
SCRUB HEAD LIFT / LOWER MECHANISM			
ITEM	PART NO.	QTY	DESCRIPTION
1	3302775	1	ACTUATOR-POWER SCRUB HEAD LIFT
2	3303258	1	GAUGE-DOWN PRESSURE SC HEAD
3	3307553	1	SWITCH
4	3400124	2	PIN-COTTER 5/8 RUE-RING
5	3303544	1	WELD-MOUNT ELEC CYL HS RH PNTD
6	3303543	1	WELD-MOUNT ELEC CYL HS LH PNTD
7	3303465	1	ASSY-POTENTIOMETER ELEC SC HD
8	3400302	1	PIN-CLEVIS 1/2 X 5.00 ZP
9	711206	1	SCR-HEX,1/4-20X0.88 ZP
10	3303299	1	WELD-ARM LIFT GAGE PLTD
11	3400103	1	WASHER-LOCK 1/4 SPLIT ZP
12	3400071	1	NUT-HEX 1/4-20 ZP
13	3400180	2	NUT-HEX 1/4-28 ZP
14	3301199	2	BALL JOINT-1/4-28
15	3303309	1	WELD-SCRUB HEAD PIN PNTD
*	3319086	1	SUB ASSEMBLY BLOCK (ITEMS 18-24)
16	3400017	1	SCR-HEX,5/8-11X1.75 ZP
17	3400020	2	SCR-HEX,1/2-13X2.00 ZP
18	3400326	2	SCR-HEX,1/2-20X1.25 ZP
19	712315	2	WASHER-LOCK 5/8 SPLIT ZP
20	3303224	4	SPACER-ELEC SH LIFT PLTD
21	3303227	1	BLOCK-PRESSURE PLTD
22	3303218	1	SPRING-COMPRESSION 1.00 DIA
23	3303225	1	RETAINER-ELEC S-HEAD LIFT PLTD
24	3400188	1	NUT-HEX JAM 1/2-20 ES
25	3400192	2	NUT-HEX JAM 5/8-11 ZP
26	3303241	1	WELD-LIFT ARM SCRUB HD RH
27	3303219	2	BEARING-SPHERICAL PLAIN
28	3303217	2	RING-RET INT. .87
29	3300457	2	ROD END-5/8 MALE
30	3400074	2	NUT-HEX JAM 5/8-18 ZP
31	3303296	1	LINKAGE-SCRUB HEAD GAGE PLTD
32	3303240	1	ASSY-LIFT ARM SCRUB HD LH PNTD
33	3400111	1	PIN-CLEVIS 5/8 X 6.00 ZP
34	3300550	2	BUSHING-FLANGE
35	3301083	1	PIVOT-SCRUB HD PLTD (SLEEVE)

REAR SQUEEGEE ASSEMBLY



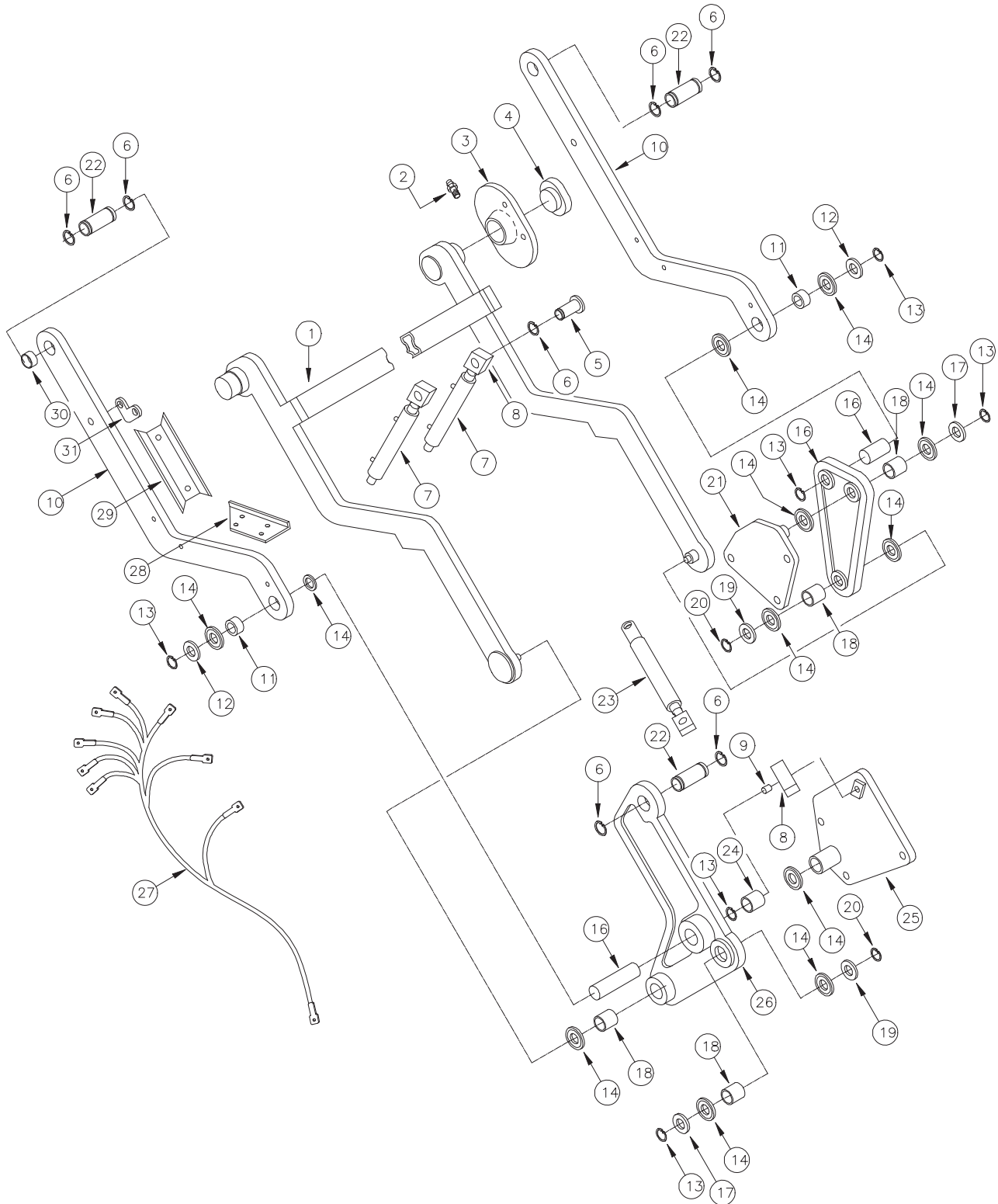
REAR SQUEEGEE ASSEMBLY			
ITEM	PART NO.	QTY	DESCRIPTION
1	3300564	2	KNOB-CLAMPING #284 - BLACK
2	3308811	1	WELD-NO TOOL SQU STRAP RH
3	3308815	2	STRIP-BACKUP REAR SQU MSW
4	3308816	1	SQUEEGEE BLADE REAR MSW
5	3321334	1	HOSE-SQUEEGEE PICK-UP 3"
6	3321141	1	CUFF-HOSE SQUEEGEE 3"
7	3308803	1	WELD-SQUEEGEE FRAME
8	3331329	1	SQUEEGEE BLADE INNER MSW
9	3301437	1	HOSE CLAMP-PLTD
10	3301081	1	SUPPORT-SQUEEGEE FRAME RH
11	3400178	4	BRG-THRUST .531 ID X 1.00 OD
12	3300973	1	WELD-MOUNT SQ LH PNTD
13	3308814	1	STRAP-FRONT SQUEEGEE
14	3400087	10	WASHER-FLAT 3/8 STANDARD ZP
15	3300339	8	SLEEVE-SQ & FWD/REV
16	3300430	8	BUSHING-.499 ID X .594 OD
17	3300855	4	ARM-SQUEEGEE PLTD
18	3300846	2	WELD-LINK SQ ADJ PLTD
19	3300961	1	SUPPORT-SQUEEGEE FRAME LH
20	3302339	2	KNOB-ALUM 5\16-18 FMTHD
21	3300978	1	WELD-MOUNT SQ RH PNTD
22	3300975	1	WELD-LIFT SQUEEGEE ARM LH
23	3300434	1	CASTER-SQUEEGEE SPECIAL
24	3308774	1	SQUEEGEE BLADE SIDE RH WIDE
25	3308773	1	STRAP, SIDE SQUEEGEE
26	3400126	4	PIN-HITCH 1/2 X 1.50 ZP
27	3331327	1	WELD-LIFT SQUEEGEE ARM RH
28	3308762	1	ROD END-FEMALE 3/8-24
29	3300853	1	ROD-THREADED SQUEEGEE
30	3300461	1	BALL JOINT-3/8-24 W/DUST COVER

REAR SQUEEGEE ASSEMBLY (CONTINUED)



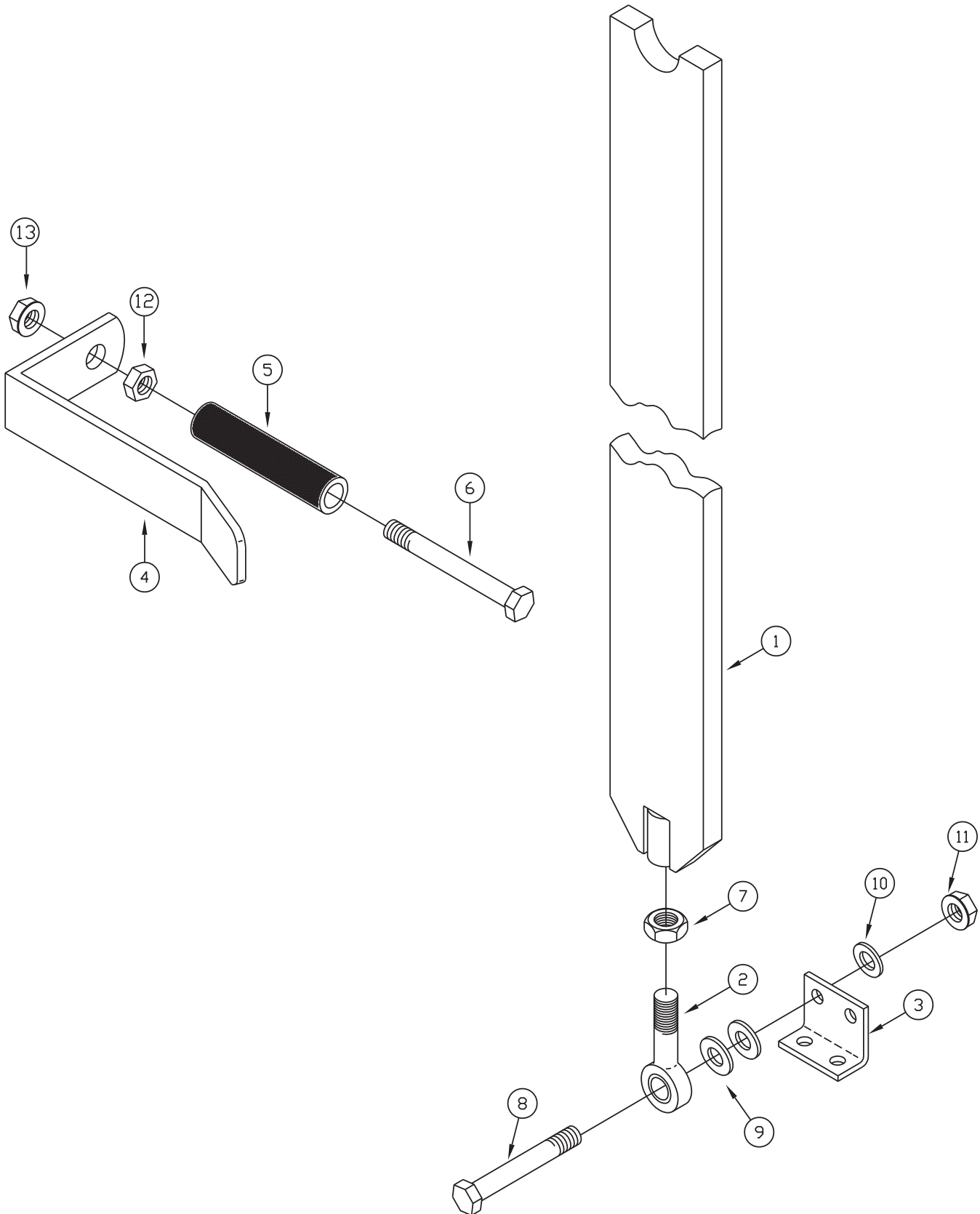
REAR SQUEEGEE ASSEMBLY			
ITEM	PART NO.	QTY	DESCRIPTION
31	3400075	2	NUT-HEX JAM 3/8-24 ZP
33	3400005	1	NUT-HEX 5/8-11 UNC
34	3331094	1	WELD-SQUEEGEE RH SIDE PLTD
35	3331097	1	WELD-SQUEEGEE LH SIDE PLTD
36	3400951	12	SCR-TRS, 5/16 X 1.25, SLT ZP
37	711374	12	NUT-HEX 5/16-18 ES ZP
38	3308763	5	PIN-HITCH 3/8 X 1.00 303 SS
39	3332628	1	STRAP-INNER SQUEEGEE
40	3331323	1	SQUEEGEE BLADE SIDE LH WIDE
41	3331098	1	STRAP-SIDE SQUEEGEE LH
42	3331325	1	WELD-LIFT SQUEEGEE ARM LH
43	3308812	1	WELD-NO TOOL SQU STRAP LH
*	3331326	1	ASSEMBLY SQUEEGEE SUB LH (INCLUDES ITEMS 40,41,42,36, &37)
*	3331328	1	ASSEMBLY SQUEEGEE SUB RH (INCLUDES ITEMS 24,25,27,36, &37)

LIFT ARM ASSEMBLY



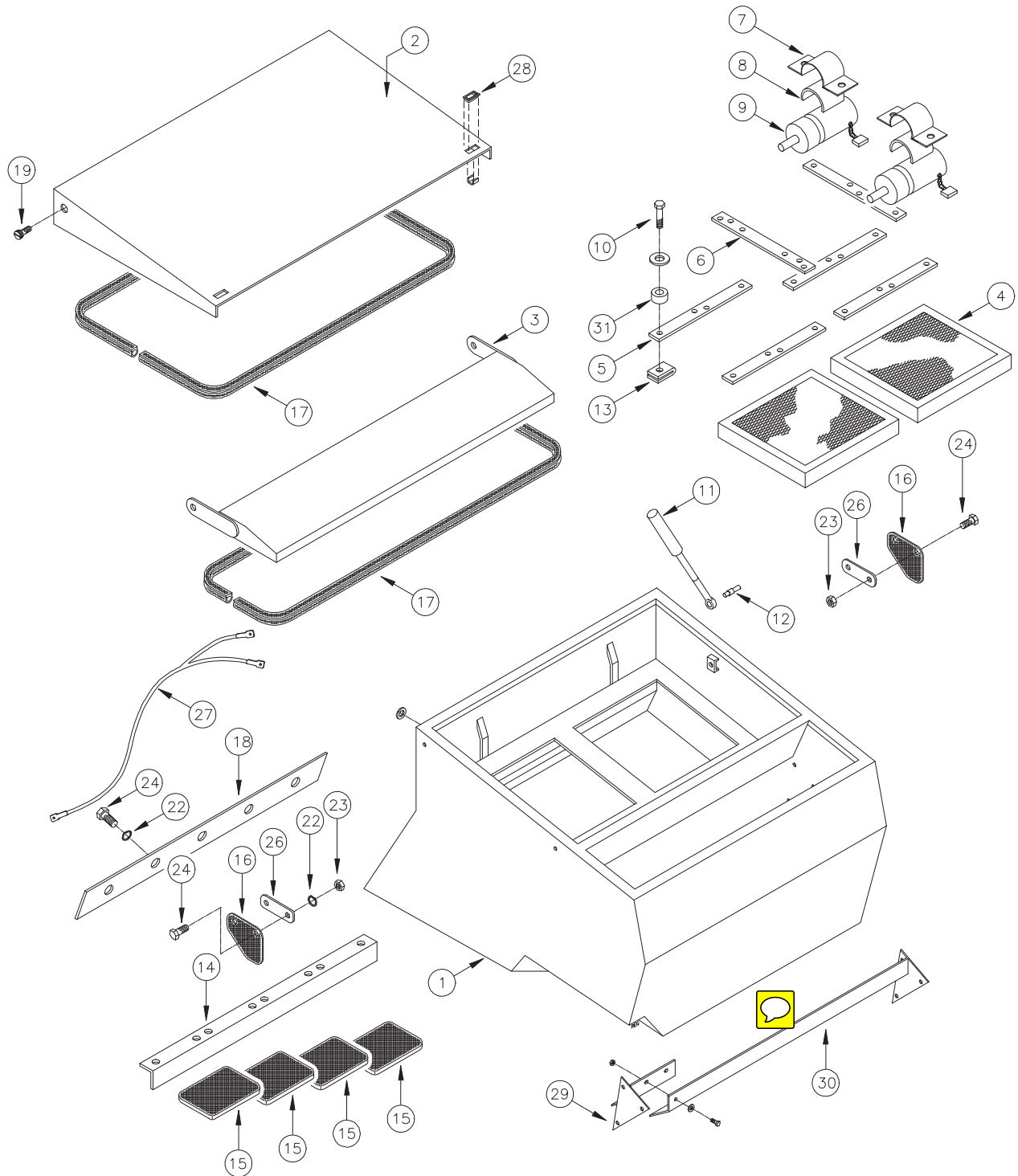
LIFT ARM ASSEMBLY			
ITEM	PART NO.	QTY	DESCRIPTION
1	3315826	1	WELD-LIFT ARM HI-DUMP M/S
2	3400012	4	FTG-GREASE 3/16
3	3301075	2	ASSY-DUMP ARM MNT PNTD
4	3301420	2	SPACER, DUMP ARM
5	3303360	2	PIN-UPPER CYL MOUNT HD PLTD
6	3301998	2	RING-RET EXT .940
7	3300426	2	CYLINDER-HYD LIFT HD PUR
8	3300229	1	ROD END-SCRUB CYL PLTD
9	3300552	1	BEARING-1 ID X 1.124 OD X 1.5
10	3300829	2	LIFT ARM-SECONDARY PNTD
11	3300836	4	BEARING-2.18 OD X 2.00 ID X.75
12	3300882	2	WASHER-HD 3.25 OD X 2.00 ID
13	3301709	2	RING-RET EXT 2.00
14	3400177	12	BRG-THRUST 2.06 ID X 3.25 OD
15	3300713	1	PLATE-ARM ROTATING HD PNTD
16	3300715	2	SHAFT-ARM ROTATING PLATE PLTD
17	3300882	2	WASHER-HD 3.25 OD X 2.00 ID
18	3300840	4	BEARING-2.18 OD X 2.00 ID X 1.50
19	3300879	4	WASHER-HD 3.25 OD X 1.00 ID
20	3400076	2	NUT-HEX JAM SLOTTED 1-14 ZP
21	3317369	1	PLATE-ROTATION LH MS/FS PNTD
22	3301996	3	PIN-ROT CYL INNER PLTD
23	3300407	1	CYLINDER-HYD RDT HD PNTD
24	3301997	1	PIN-ROT CYL OUTER PLTD
25	3317368	1	PLATE-ROTATION RH MS/FS PNTD
26	3300809	1	ASSY-ARM ROT CYL MOUNT HD SUB
27	3302030	1	HARNESS-TSS/SW HD (DIESEL)
	3336612		HARNESS-TSS/SW HD (GAS/LP)
28	3303873	1	BRACKET-HYD HOSE HD FWD
29	3303170	1	BRKT-HYD HOSE HD&PWR PACK PNTD
30	3300837	2	BEARING-1.12 OD X 1.00 ID X.75
31	3302037	1	BRACKET-UPPER SWITCH PLTD
*	3400054	2	SCR-SET,1/4-20X0.25 ZP

SAFETY ARM ASSEMBLY T82/T90



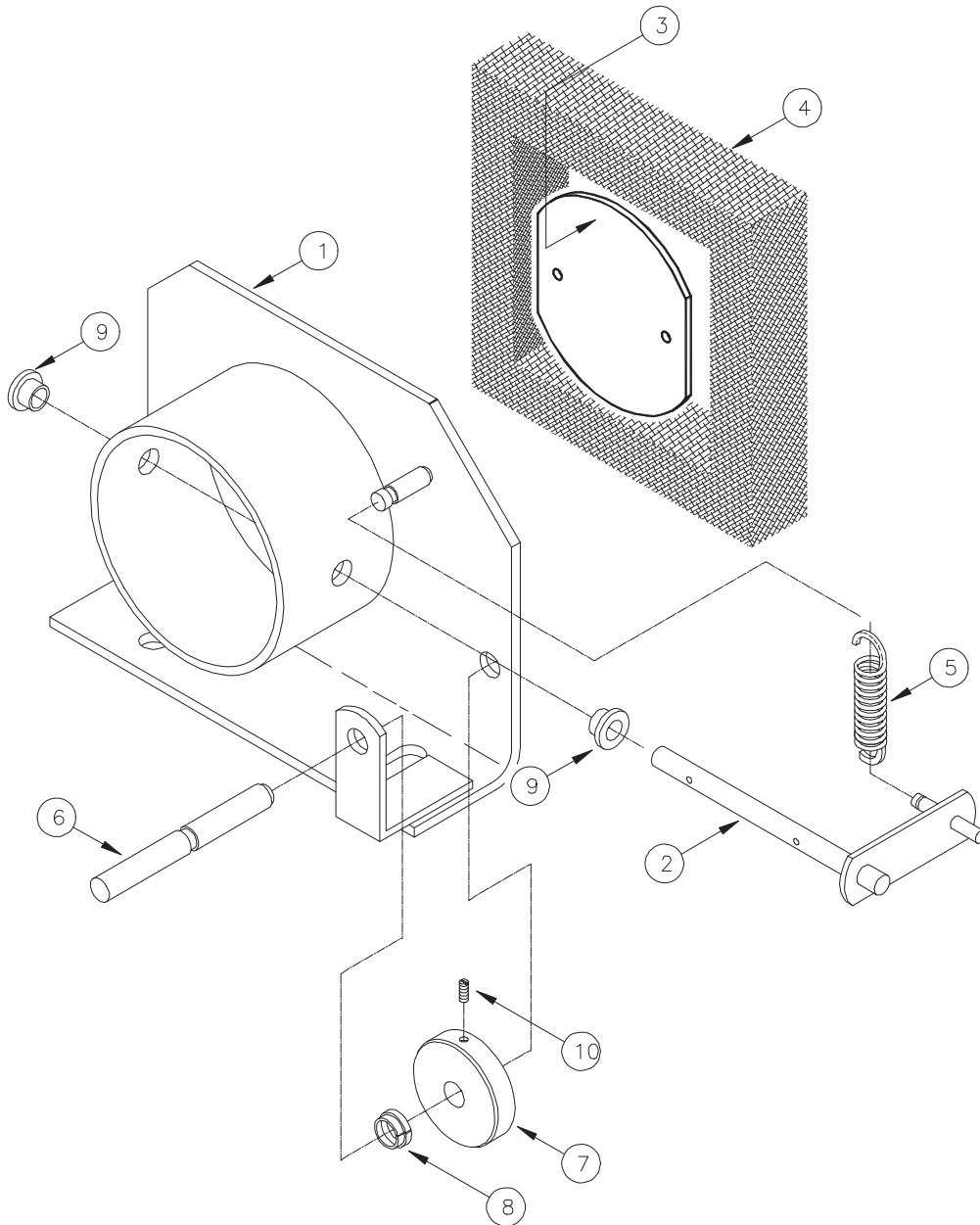
SAFETY ARM ASSEMBLY T82/T90			
ITEM	PART NO.	QTY	DESCRIPTION
1	3302042	1	WELD-SAFETY ARM
2	3300457	1	ROD END-5/8 MALE
3	3302045	1	BRACKET-HD SAFETY ARM
4	3302076	1	BRKT-HD SAFETY ARM W/O OHG
5	3500104	1	HOSE-NEOPRENE 5/16 ID
6	3400215	1	SCR-HEX,5/16-18X4.00 ZP
7	3400074	1	NUT-HEX JAM 5/8-18 ZP
8	3400209	1	SCR-HEX,5/8-11X2.00 ZP
9	3400094	2	WASHER-FLAT 5/8 ZP
10	712315	1	WASHER-LOCK 5/8 SPLIT ZP
11	3400192	1	NUT-HEX JAM 5/8-11 ZP
12	3400070	1	NUT, HEX 5/16-18 ZP
13	3400390	1	NUT-FLANGE LOCK 5/16-18
*	3333298	1	DECAL SAFETY ARM
*	3331359	1	SUB-SAFETY ARM W/BALL JOINT (INCLUDES ITEMS 1,2,7)

HOPPER ASSEMBLY



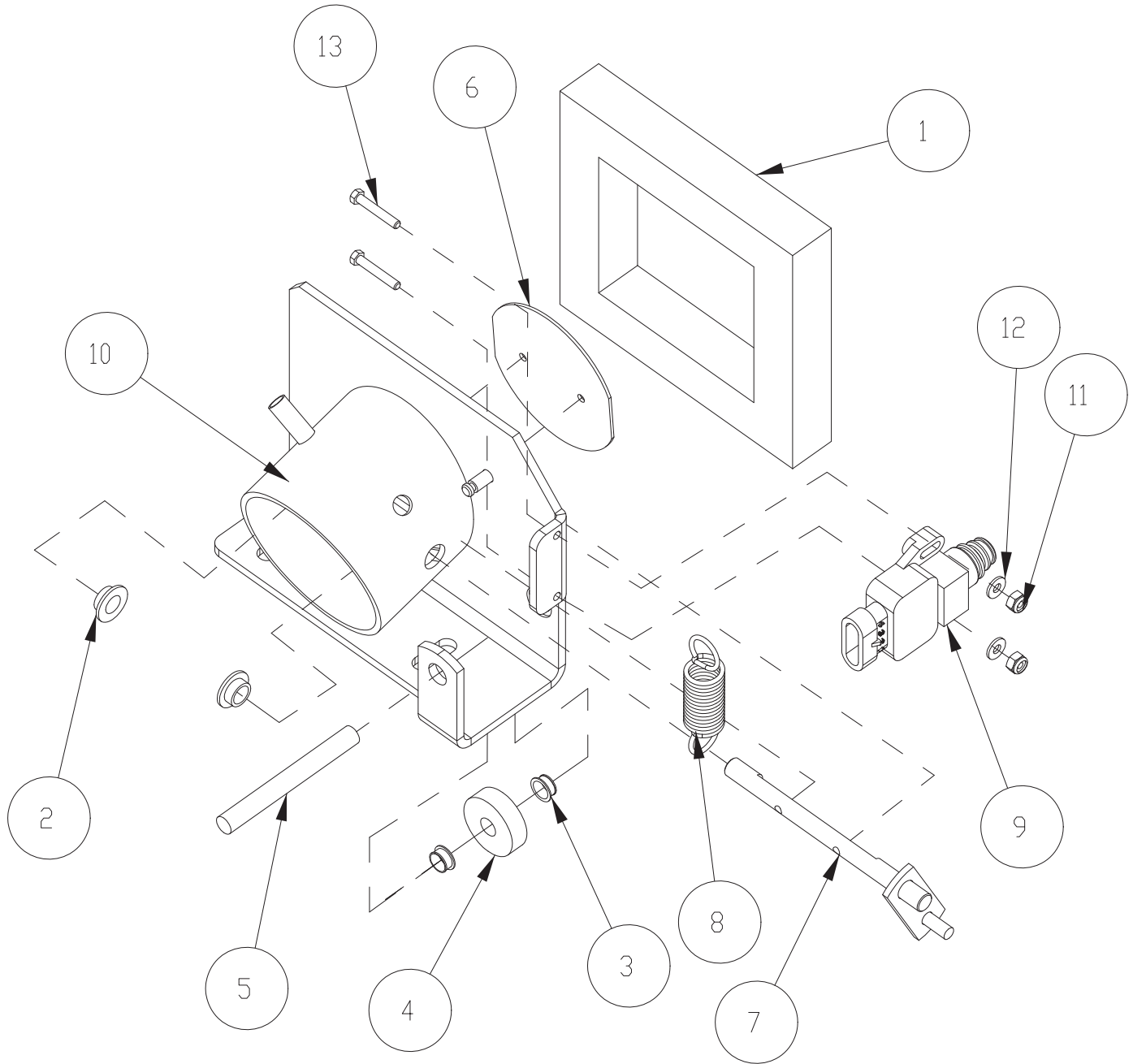
HOPPER ASSEMBLY			
ITEM	PART NO.	QTY	DESCRIPTION
1	3344997	1	WELD-HOPPER
2	3322099	1	WELD-HOPPER HOOD
3	3300114	1	ASSY-LID HOPPER PNTD
4	3305645	2	FILTER-HOPPER
5	3300921	4	BAR-FILTER RET MS
6	3300917	2	MOUNT-FILTER SHAKER PNTD
7	750073	2	BRACKET SHAKER MOTOR
8	3300904	2	MOUNT-NEOPRENE SHAKER MTR
9	748149-1	2	MOTOR-SHAKER FILTER
10	3345099	8	ROD-5/16-18X4.25, FILTER TIE DOWN
11	3300375	2	GAS SPRING-COVER
12	3300376	2	STUD-BALL GAS SPRING
13	3301146	8	CLIPNUT-1/4-20 ZP
14	3300205	1	ANGLE-HOPPER FLAP MS PNTD
15	3300194	4	FLAP-HOPPER FRONT MS
16	3300151	2	FLAP-HOPPER SIDE
17	3318739	18'	WEATHERSTRIPPING-RUBBER SPONGE
18	3300112	1	PLATE-FLAP HOPPER HD PNTD
19	3318073	4	SCR-HOPPER LID SHOULDER
22	711504	12	WASHER-LOCK-1/4 SPLIT SS
23	712665	4	NUT-HEX 1/4-20 SS
24	3400059	12	SCR-THM 1/4-20 X .75 SS
26	3302146	1	BACKING-HOPPER SIDE CORNR PLTD
27	3302033	1	HARNESS-HD GROUP
28	3300380	2	LATCH ASSY. #C2-10-301-50
29	3306779	1	WELD-HOPPER PRE-CLNR RH PNTD
30	3306778	1	WELD-HOPPER PRE-CLNR LH PNTD
31	3307850	8	ISOLATOR-HOPPER FILTER
32	3400088	8	WASHER-FLAT 5/16 STANDARD ZP
*	3334900	1	POWERBOSS DECAL (NOT SHOWN)

VACUUM MOUNT ASSEMBLY



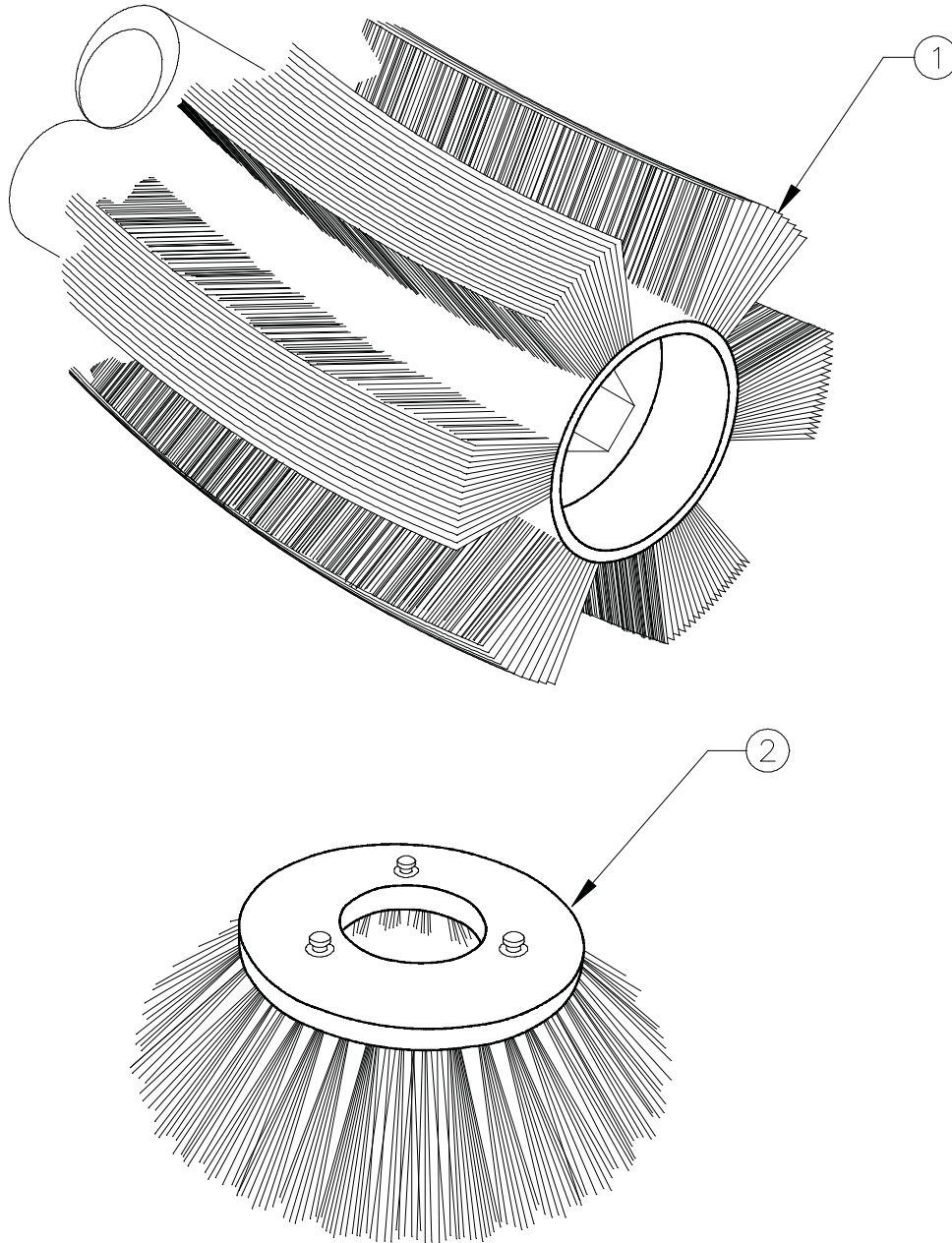
VACUUM MOUNT ASSEMBLY			
ITEM	PART NO.	QTY	DESCRIPTION
1	3344298	1	WELD-GASKET MNT,
2	3304104	1	WELD-DAMPER
3	3304103	1	DAMPER-GASKET MNT
4	3300193	1	GASKET-HOPPER AIR OUTLET
5	3304160	1	SPRING-EXTENTION, 2.00 LG
6	3304101	1	ROD-GASKET MNT
7	3304097	1	SPACER-GASKET MNT
8	3304017	2	BUSHING-THROTTLE NYLON
9	3300414	2	BUSHING-PLASTIC 3/8IDX1/2OD
10	3400341	1	SCR-SET,#08-32X0.44 ZP

VACUUM MOUNT ASSEMBLY - CE MODELS



VACUUM MOUNT ASSEMBLY - CE MODELS			
ITEM	PART NO.	QTY	DESCRIPTION
1	3300193	1	GASKET-HOPPER AIR OUTLET
2	3300414	2	BUSHING-FLNG 3/8 NYLON
3	3304017	2	BUSHING-THROTTLE NYLON SW 75
4	3304097	1	SPACER-GASKET MNT SW 75 PLTD
5	3304101	1	ROD-GASKET MNT SW 75 PLTD
6	3304103	1	DAMPER-GASKET MNT
7	3304104	1	DAMPER SW 75 PLTD
8	3304160	1	SPRING-EXT BRAKE LEVER
9	3335945	1	SWITCH-COBO, AMP CONNECTOR
10	3344298	1	WELDMENT-GASKET MNT
11	3400082	2	NUT-HEX #8-32 ES ZP
12	3400096	2	WASHER-FLAT #8 ZP
13	3400243	2	SCR-HEX,#08-32X1.00 ZP

SIDE AND MAIN BROOMS



SIDE AND MAIN BROOMS			
ITEM	PART NO.	QTY	DESCRIPTION
1	3305817	1	BROOM-HIGH DEN FIBER & WIRE
1	3305811	1	BROOM-NYLON
1	3305664	1	BROOM-HIGH DENSITY NYLON
1	3305813	1	BROOM-NYLON CHEVRON (PATROL)
1	3315313	1	BROOM-STIFF NYLON
1	3305662	1	BROOM-PROEX & WIRE
1	3305823	1	BROOM-CRINKLE WIRE
1	3332434	1	BROOM-STIFF POLY & WIRE
2	3300308	1	BROOM-SIDE 24" WHITE NYLON
2	3300306	1	BROOM-SIDE 24" DIA. BLACK POLY
2	3300309	1	BROOM-SIDE 26" WHITE NYLON
2	3300307	1	BROOM-SIDE 26" BLACK POLY
2	3300311	1	BROOM-SIDE 26" WIRE

Main Broom User's Guide

Proex & Wire - Slightly encrusted soilage & dusty conditions. High heat.

Nylon - General purpose broom with long life bristles.

Poly Proex - All purpose broom that stands up well on rough surfaces.

High Density Nylon - Highly effective for small particle soilage. Severe dust environments.

Crinkle Wire - Stiff bristles for compacted grime, oil, grease or mud. Fair to good broom life.

Natural Fiber & Wire - Good all around broom. Good for high heat applications.

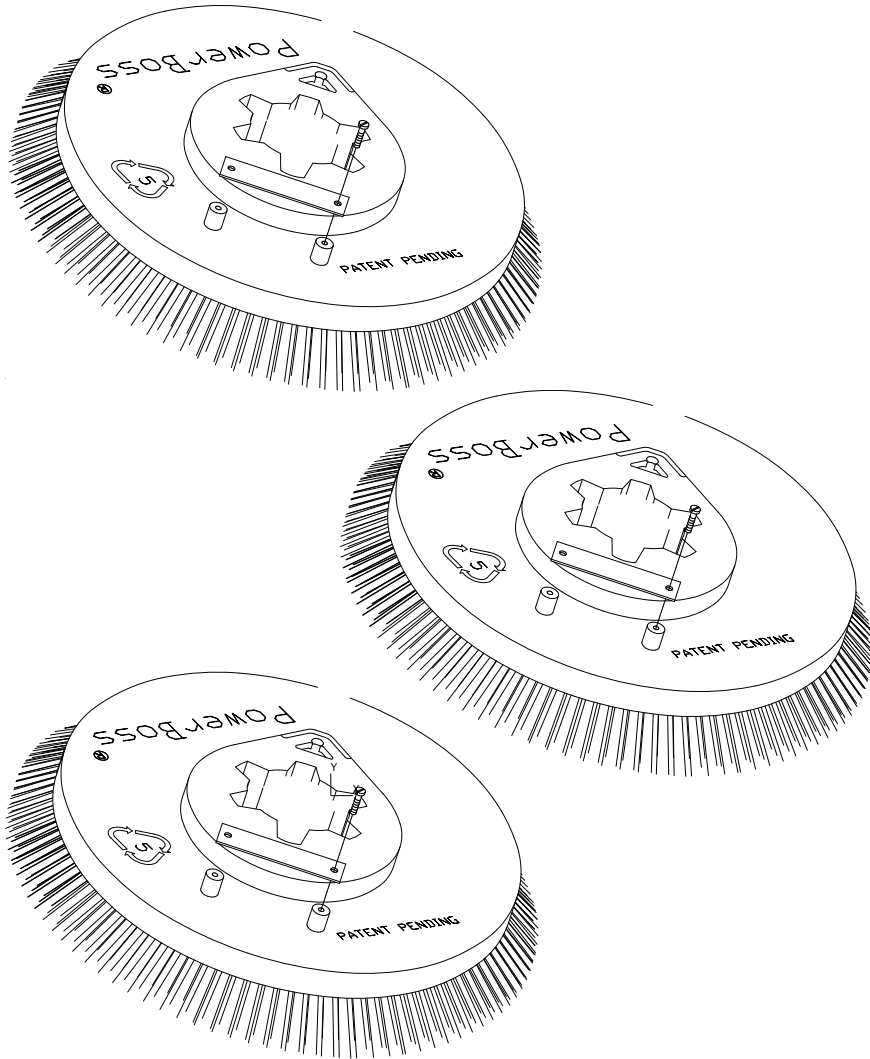
Side Broom User's Guide

Poly - Stiff bristles for aggressive sweeping of mainly heavy litter. Not suited for high heat.

Nylon - Provides longest life. Recommended for tough sweeping jobs.

Wire (flat) - For areas of heavy grease build up or scarifying action. Used in high heat applications.

SCRUB BRUSHES



SCRUB BRUSHES			
ITEM	PART NO.	QTY	DESCRIPTION
1	3313135	3	BRUSH-SCRUB NYLON
1	3315386	3	POWER DRIVE POWERGRIT120AGS
1	3313127	3	POWER DRIVE POWERGRIT 46HDS
1	3313125	3	POWER DRIVE POWERGRIT 80S/S
1	3332544	3	BRUSH MID GRIT
1	3313131	3	BRUSH-SCRUB WIRE
1	3315494	3	BRUSH PWR DRIVE W/PAD HOLDER

Scrub Brush User's Guide

PowerGrit 46 HDS - Heavy Duty Scrubbing, Maximun Stripping Power

PowerGrit 80 S/S - Heavy Soil, Black Tire Mark Remover

PowerGrit 120 AGS - Aggressive General Scrubbing, Tile, Concrete

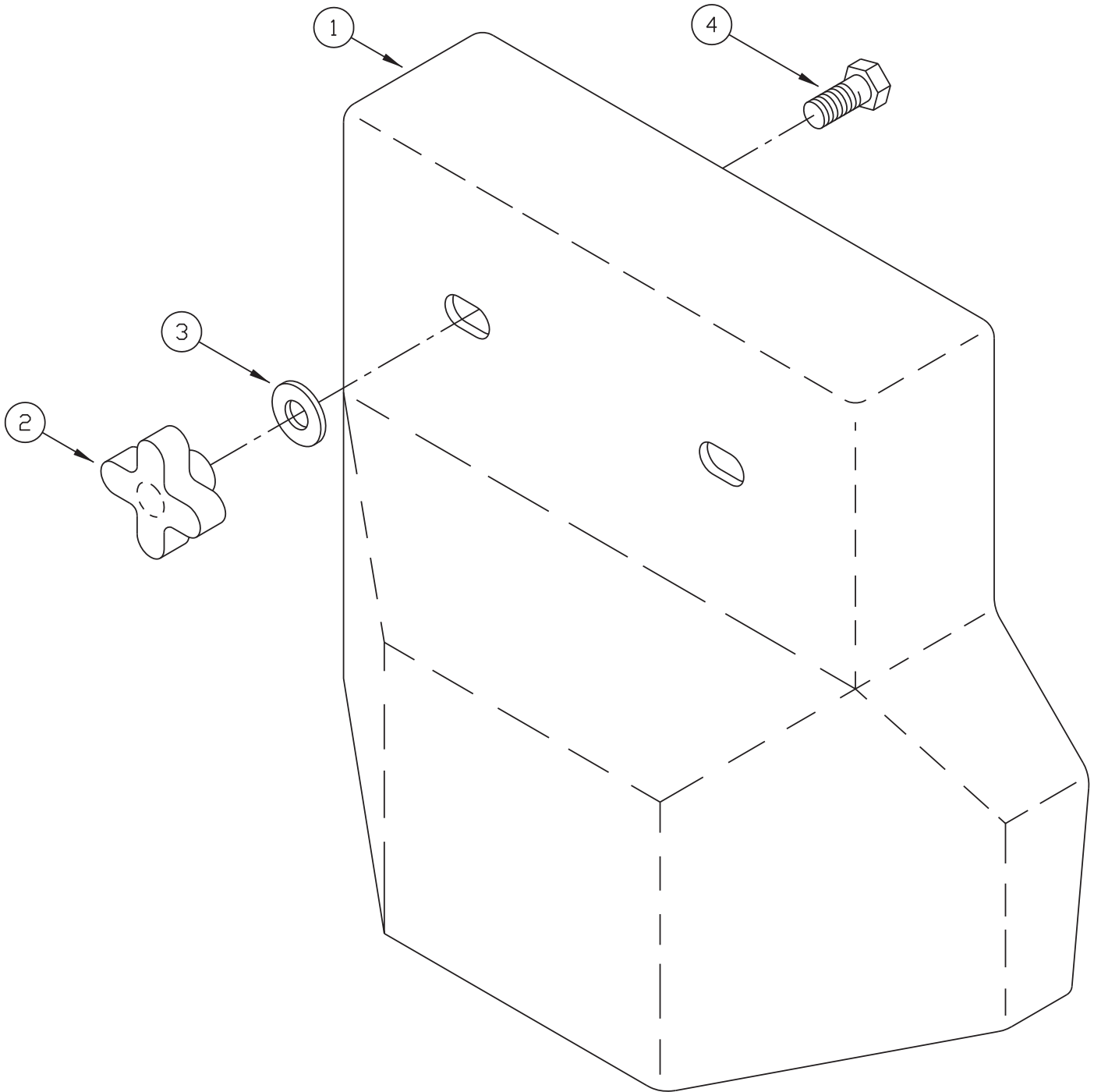
MidGrit 180 - Slightly More Aggressive Than Nylon, Med. Soil,

Nylon - Light soil, Sealed or Unsealed Concrete, Wood. Tile Surfaces

Wire - Scarify, Packed On Dry Soil

OPTIONS:

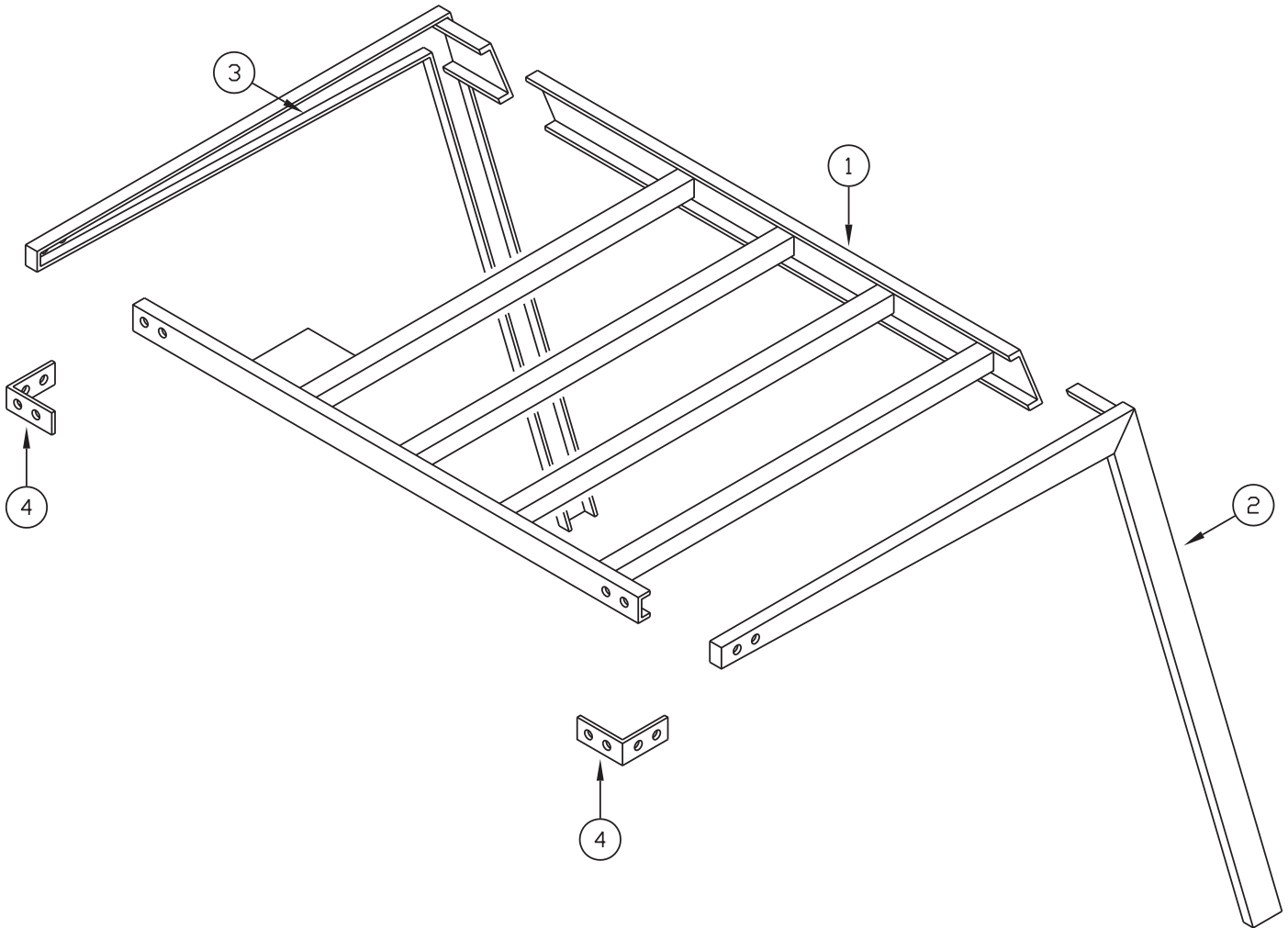
OPTION - HEAVY DUTY SIDE BROOM GUARD (3319295)



OPTION - HEAVY DUTY SIDE BROOM GUARD (3319295)

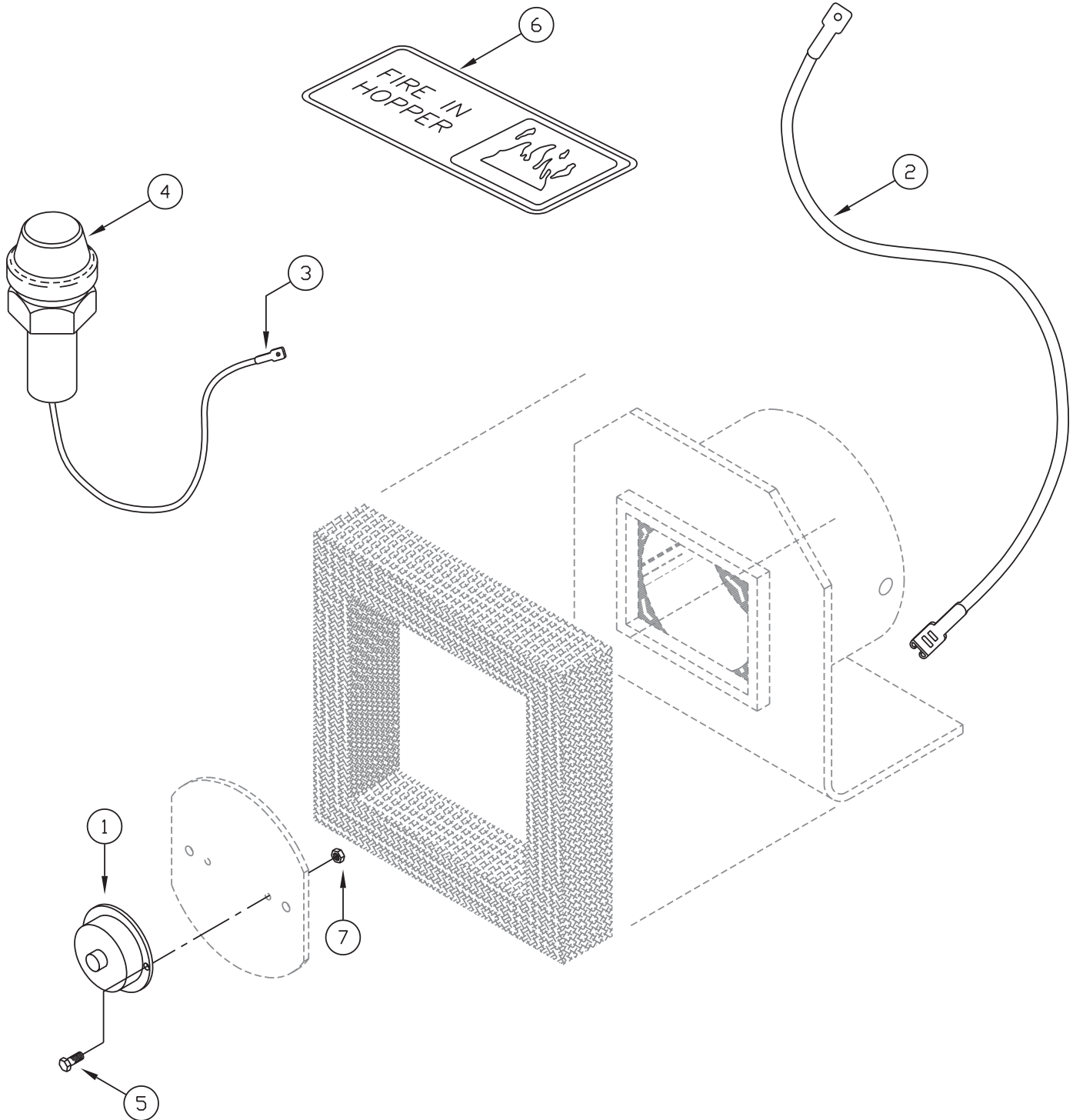
ITEM	PART NO.	QTY	DESCRIPTION
1	3303119	1	GUARD ASSEMBLY, HEAVY DUTY SIDE BROOM
2	3303179	2	KNOB, ALUMINUM HAND
3	3400087	2	FLAT WASHER
4	3400029	2	SCR-HEX,3/8-16X1.25 ZP

OPTION - OVERHEAD GUARD (3319228)



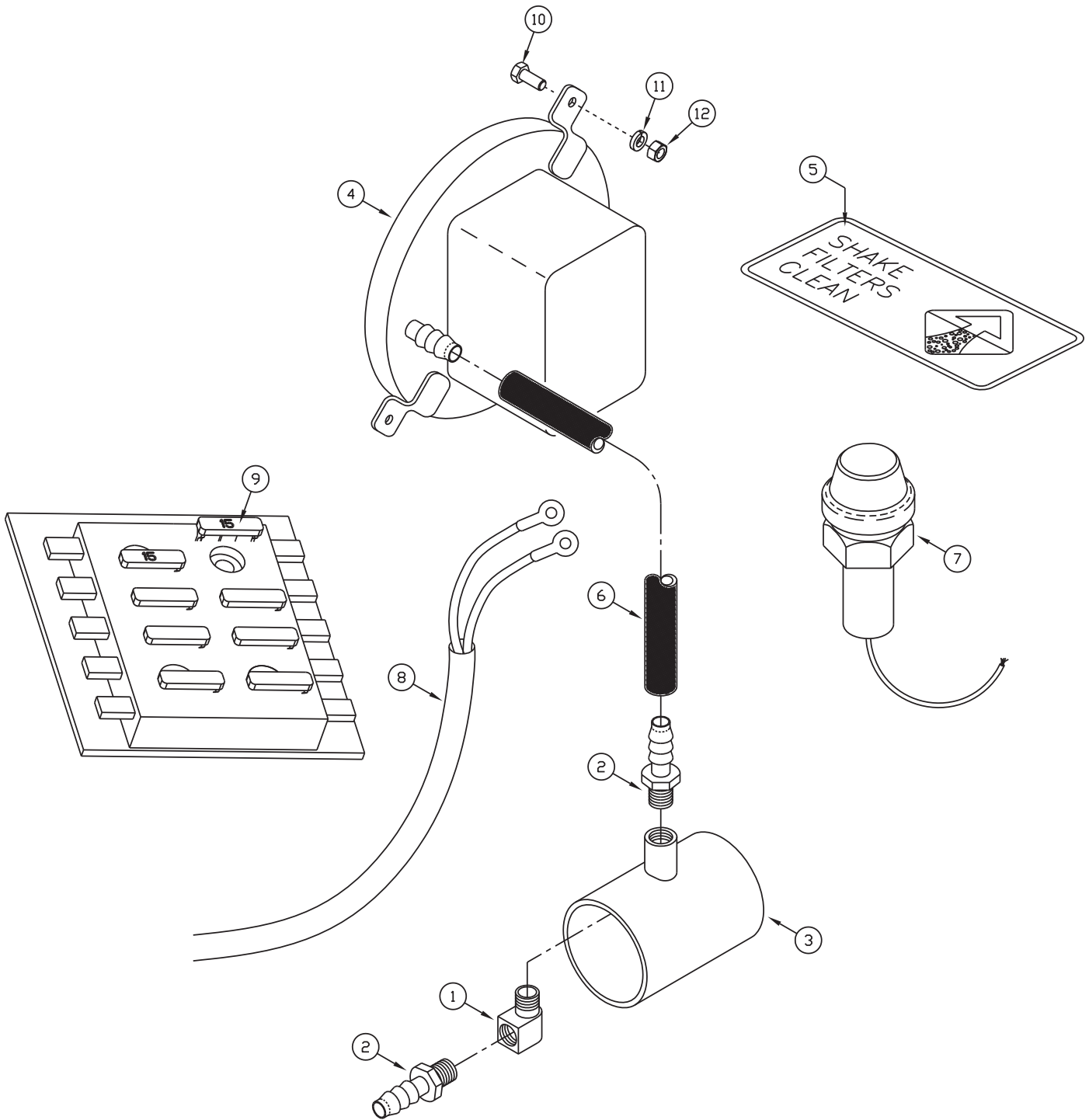
OPTION - OVERHEAD GUARD (3319228)			
ITEM	PART NO.	QTY	DESCRIPTION
1	3300763	1	ASSY-SIDE RH OH GUARD PNTD
2	3300784	1	ASSY-TOP OH GUARD MS PNTD
3	3300762	1	ASSY-SIDE LH OH GUARD PNTD
4	3302708	2	BRKT-CORNER OH GUARD PNTD
5	3400029	22	SCR-HEX,3/8-16X1.25 ZP
6	3400385	22	WASHER-CONICAL SPRING 3/8
7	3400392	22	NUT-FLANGE LOCK 3/8-16

OPTION - HOPPER FIRE INDICATOR (3319256)



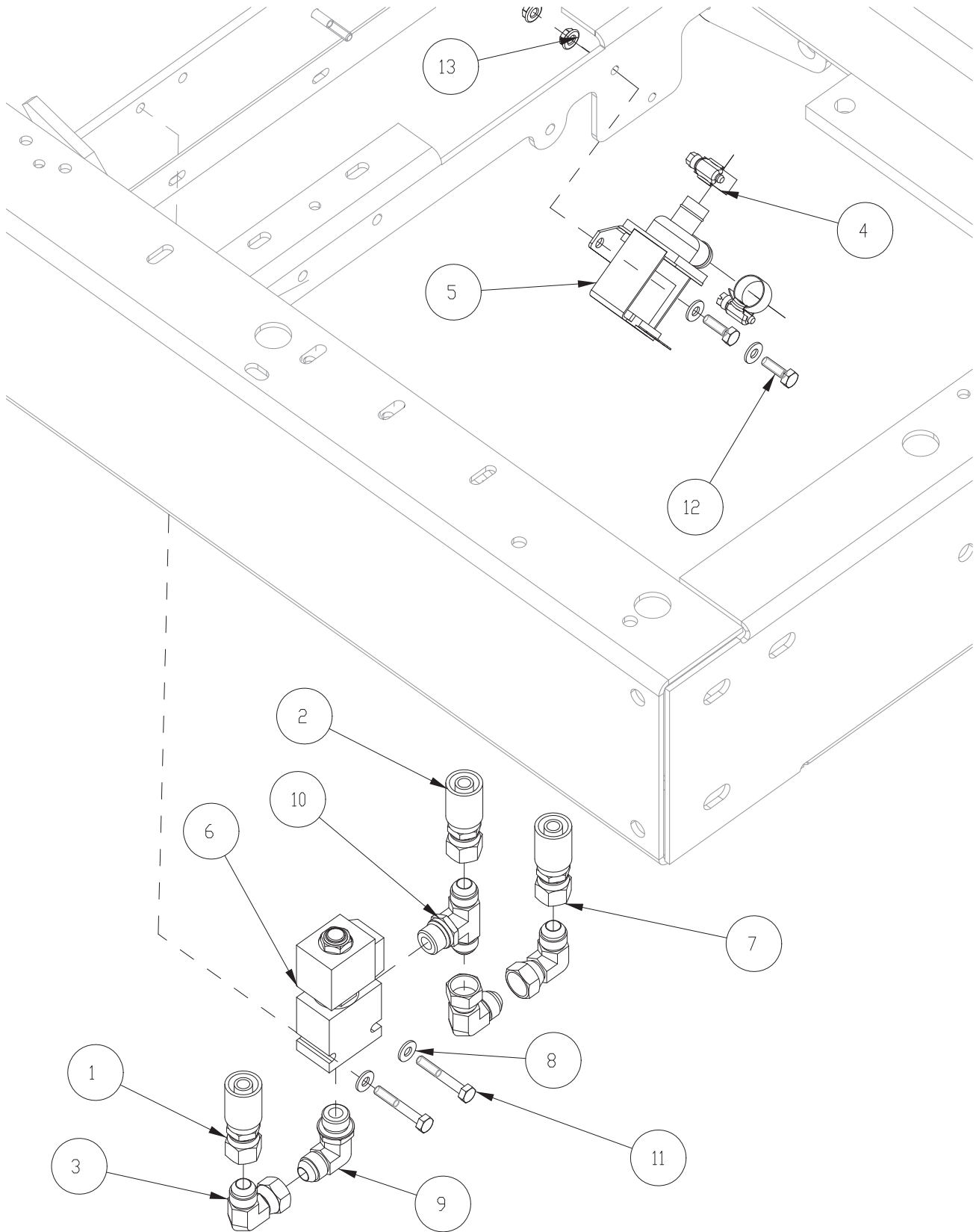
OPTION - HOPPER FIRE INDICATOR (3319256)			
ITEM	PART NO.	QTY	DESCRIPTION
1	3303003	1	DETECTOR-HEAT, 135°F TRIP (57°C), THERMOSTATIC TYPE
2	3303091	1	HARNESS-FIRE SENSOR
3	3302462	1	TERMINAL-MALE SNAP PLUG
4	3301553	1	LIGHT-5/8 DIA, RED, 12V (TRASH RELOC.)
5	3400298	2	SCR-PAN,#6-32X.50,SLT ZP
6	3302521	1	DECAL-FIRE IN HOPPER (LEXAN)
7	3400299	2	NUT-HEX #6-32 ZP

OPTION - CLOGGED FILTER INDICATOR (3319257)



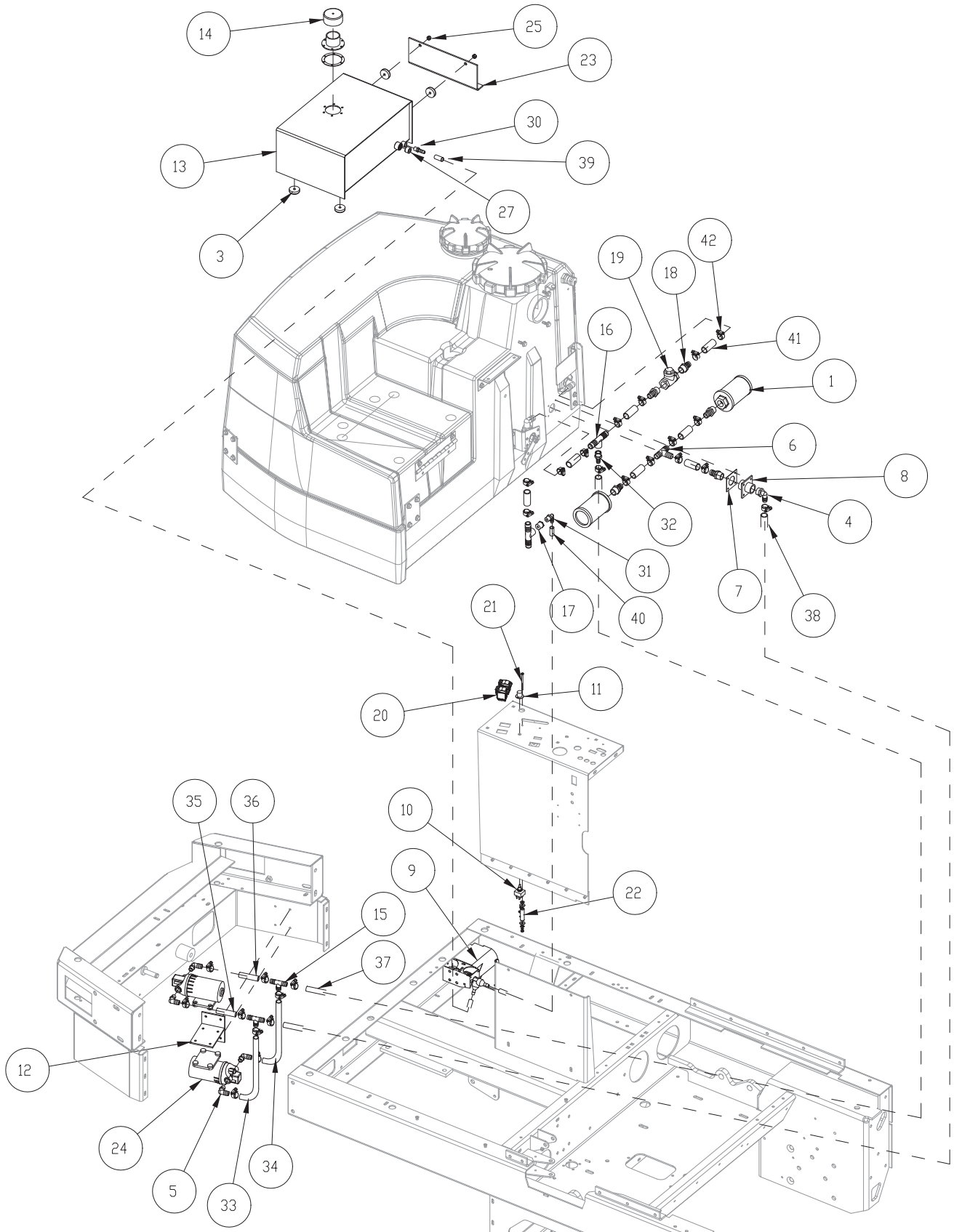
OPTION - CLOGGED FILTER INDICATOR (3319257)			
ITEM	PART NO.	QTY	DESCRIPTION
1	3400260	1	FTG-90 ELL 1¼ MPT TO 1¼ FPT
2	3400261	1	FTG-HOSE BARB 1/4 MPT TO 3/8
3	3304822	1	CLOGGED FILTER MOUNT PNTD
4	3303327	1	SWITCH-VACUUM
5	3302518	1	DECAL-SHAKE FILTERS OPTION (LEXAN)
6	3303516	1	HOSE-5/16 ID CLOGGED FILTER
7	3301553	1	LIGHT-5/8 DIA, RED, 12V (TRASH RELOC.)
8	3303588	1	HARNESS-CLOG FILTER OPT
9	3300446	1	FUSE-15 AMP
10	3400045	2	SCR-PAN,#8-32X0.62,SLT ZP
11	3400105	2	WASHER-LOCK #8 SPLIT ZP
12	3400073	2	NUT-HEX #8-32 ZP

OPTION - WATER & BRUSH SHUT OFF - CE MODELS ONLY (3332636)



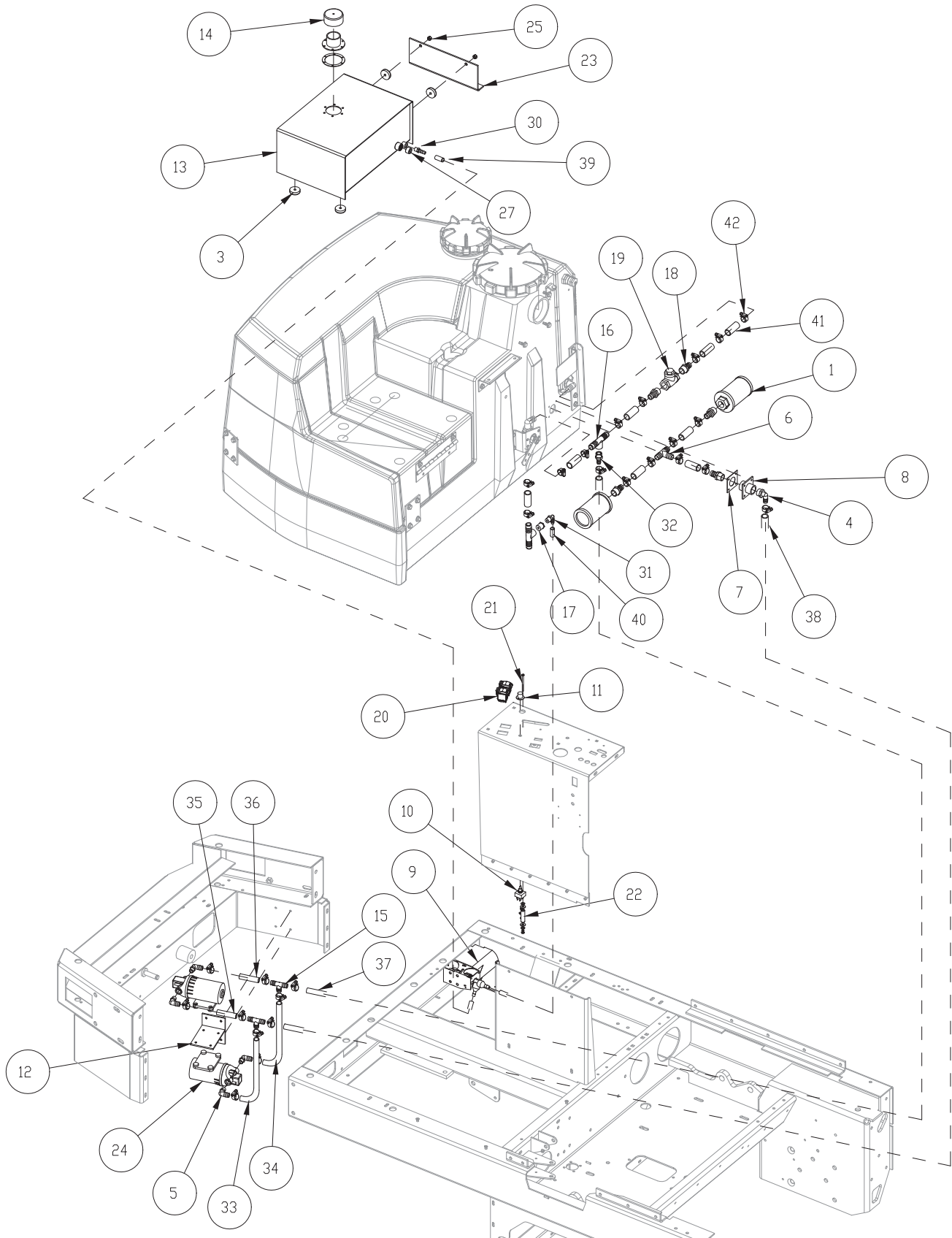
OPTION - WATER & BRUSH SHUT OFF (3332636)			
ITEM	PART NO.	QTY	DESCRIPTION
1	3332744	1	HOSE-.50 AR 42" ST#8 ST#8
2	3300615	1	HOSE-.50 AR 86" ST#8 90 #8(S)
3	3400244	3	FTG-90 SWIVEL 8JIC
4	3302144	2	CLAMP-HOSE 1/2
5	3322671	1	VALVE-SOL SHUTOFF SOLENOID 12V
6	3332714	1	VALVE-DOUBLE SCRUB
7	3332745	1	HOSE1/2AR45.OST#8ST#8 D/SC
8	3400089	4	WASHER 1/4 ID .63 OD X .065 THK
9	3400154	1	FTG-90 EL 3/4-16 MORB X -8JIC
10	3400161	1	FTG-TEE 3/4-16 MORB X -8JIC
11	3400173	2	SCREW-HHM 1/4-20 X 1.75 LG ZP
12	3400041	2	SCREW-HHM 1/4-20 X .875 LG ZP
13	3400063	2	NUT-FLANGE LOCK 1/4-20 ZP

OPTION - WATER RECYCLING (3302806)



OPTION - WATER RECYCLING (3302806)			
ITEM	PART NO.	QTY	DESCRIPTION
1	3304798	2	STRAINER-SOLUTION HI-CAP TANK
2	3302408	1	FTG-REDUCER TUBE END 8-4
3	3302482	4	BUMPER-SEAT MOUNT
4	3302718	1	FTG-3/8 X 5/8 90 DEG. EL. THD.
5	3302719	4	FTG-3/8 X 5/8 90 DEG. EL. THD.
6	3302950	1	FTG-3/4 90 DEG HOSE BARB
7	3302962	1	GASKET-EXTENDED SOLUTION TAP
8	3302963	1	TAP ES OPT.
9	3303001	1	PUMP-METERING BELLOWS TYPE 12V
10	3303072	1	SWITCH-ROTARY 3-SPD
11	3303073	1	KNOB-ROTARY SWITCH
12	3303191	1	ASSY-SRS / ES PUMP MOUNT PNTD
13	3303213	1	SOAP SOL TANK
14	3303310	1	FILTER/BREATHER ASSY FLOW-EZY
15	3303353	2	FTG-3/8 X 5/8 90 DEG. EL. THD.
16	3303354	2	FTG-3/8 X 5/8 90 DEG. EL. THD.
17	3303355	1	FTG-REDUCER 1/2 MPT X 1/4 FPT
18	3309073	5	FTG-3/4 MPT X 3/4 HB
19	3317245	1	VALVE-CHECK SWING 3/4" BRASS
20	3318514	2	SWITCH-SPDT ROCKER
21	3323983	1	RESISTOR HARDWARE KIT
22	3323992	1	RESISTOR-ADJUST 25W 3.0 OHM
23	3331002	1	MNT-SOAP TANK
24	3331278	2	PUMP-SOLUTION 60 PSI 12V
25	3400080	2	NUT-HEX 5/16-18 ES ZP
26	3400155	1	FTG-90 EL 8JIC X 10MORB
27	3400217	1	FTG-PIPE PLUG HEX SOC 1½ MPT
28	3400244	2	FTG-90 SWIVEL 8JIC
29	3400250	1	SWIVEL NUT RUN TEE-#8, MJ-FJX-
30	3400261	1	FTG-HOSE BARB 1/4 NPT TO 3/8
31	3400985	1	FTG-90 PP 3/8 MPT X 3/8 BARB
32	3401962	1	FTG-HOSE BARB 1/2X1/2 NPT
33	3303352	1	HOSE-5/8 ID DELIVERY PUMP SRS

OPTIONAL - WATER RECYCLING CONTINUED



OPTION - WATER RECYCLING (3302806)			
ITEM	PART NO.	QTY	DESCRIPTION
34	3303335	1	HOSE-5/8 ID DELIVERY SRS
35	3303351	1	HOSE-5/8 ID DELIVERY PUMP SRS
36	3303336	1	HOSE-5/8 ID DELIVERY SRS
37	3303332	1	HOSE-SOL RETURN SRS
38	3303331	1	HOSE-SOL DELIVERY SRS
39	3303333	1	HOSE-DELIVERY SOAP TANK
40	3303334	1	HOSE-SOL PUMP SRS
41	3500131	FT.	TUBE-PVC 3/4 ID X 1/8 WA-CLEAR
42	3302144	27	CLAMP-HOSE 1 1/2 NOM

WARRANTY

Revision K
Effective December 2015
PowerBoss Made Simple Industrial Limited Warranty

Minuteman International owner of PowerBoss warrants to the original purchaser/user that the product is free from defects in workmanship and materials under normal use. PowerBoss will, at its option, repair or replace without charge, parts that fail under normal use and service when operated and maintained in accordance with the applicable operation and instruction manuals. All warranty claims must be submitted through and approved by factory authorized repair stations.

This warranty does not apply to normal wear, or to items whose life is dependent on their use and care. Parts not manufactured by PowerBoss are covered by and subject to the warranties and/or guarantees of their manufacturers. Please contact Minuteman International for procedures in warranty claims against these manufacturers.

Special warning to purchaser -- Use of replacement parts not manufactured by PowerBoss or its designated licensees, will void all warranties expressed or implied. A potential health hazard exists without original equipment replacement.

All warranted items become the sole property of Minuteman International or PowerBoss or its original manufacturer, whichever the case may be.

PowerBoss disclaims any implied warranty, including the warranty of merchantability and the warranty of fitness for a particular purpose. PowerBoss assumes no responsibility for any special, incidental or consequential damages.

This limited warranty is applicable only in the U.S.A. and Canada, and is extended only to the original user/purchaser of this product. Customers outside the U.S.A. and Canada should contact their local distributor for export warranty policies. PowerBoss is not responsible for costs or repairs performed by persons other than those specifically authorized by PowerBoss. This warranty does not apply to damage from transportation, alterations by unauthorized persons, misuse or abuse of the equipment, use of non-compatible chemicals, or damage to property, or loss of income due to malfunctions of the product. If a difficulty develops with this machine, you should contact the dealer from whom it was purchased.

This warranty gives you specific legal rights, and you may have other rights, which vary from state to state. Some states do not allow the exclusion or limitation of special, incidental or consequential damages, or limitations on how long an implied warranty lasts, so the above exclusions and limitations may not apply to you.

	Travel *	Labor	Parts	Engine	Extended Warranty	Costs
Walk Behind						****
Battery Sweepers	90 Days	36 months	36 months	N/A	N/A	-
IC Sweepers	90 Days	36 months	36 months	Through Eng. Mfg.	N/A	-
Battery Scrubbers	90 Days	24 months	36 months	N/A	N/A	-
Riders						
Battery Scrubbers	90 Days	24 months	36 months or 2000 hr.	N/A	36 months parts + 24 labor (or 3000 Hours)	5%
IC Sweeper/Scrubbers 82 & 90	90 Days	6 months	24 months or 2000 hr.	24 months or 3000 hrs**	36 months parts + 24 months labor (or 3000 Hours) + 180 days travel	5%
I.C. Sweepers 9X, 10X	90 days	6 months	48 months or 3000 hrs.	60 months or 3000 hrs**	48 months parts + 24 months labor (or 3000 Hours) + 180 days travel	5%
NAUTILUS Scrubber	180 Days	24 months	36 months or 2000 hr.	36 months or 2000 hrs**	48 months parts + 24 months labor (or 3000 Hours) + 180 days travel	3%
All Rider, I.C. (excluding APEX series)					Bumper to Bumper 5000 hr max. 48 months parts, 48 months labor, 180 days travel	8%
Exceptions						
Apex Series Sweeper	90 Days	12 months	12 months or 1000 hr.	12 months or 1000 hrs**	24 months parts + 24 months labor (or 2000 Hours)	5%
6X Sweeper	90 Days	6 months	24 months or 2000 hr.	24 months or 2000 hours**	36 months parts + 24 months labor (or 3000 Hours) + 180 day travel	5%

Tank Bladders Eight years/ no additional labor Ten years/ no additional labor
Polyethylene plastic tanks
Batteries 0-3 months full replacement, 4-12 prorated credit
Chargers One-year replacement
Aftermarket Replacement parts Ninety days from date of purchase
***Two-Hour Cap Per Service Call**

****Through Engine Manufacturer. See Section 3 of Warranty Manual for Engine Warranty**

Exceptions * Based Upon Dealer's Certification Status:**
Extended Warranty MUST Be Signed Up Within 30 Days of Delivery to End User
(Dealer Has 1Year From Receiving Machine To Sign Up For Extended Warranty)

***All above labor and travel reimbursed at 65% or 75% of the published shop rate.



“The Power of Clean”

**PowerBoss Is A Full Line Manufacturer Of Sweepers and Scrubbers For
Industrial Facilities.**

**PowerBoss, Inc 14N845 U.S. Route 20 Pingree Grove, Illinois 60140 USA
Phone: 800-323-9420 e-mail: tech@powerboss.com**

A Member Of The Hako Group